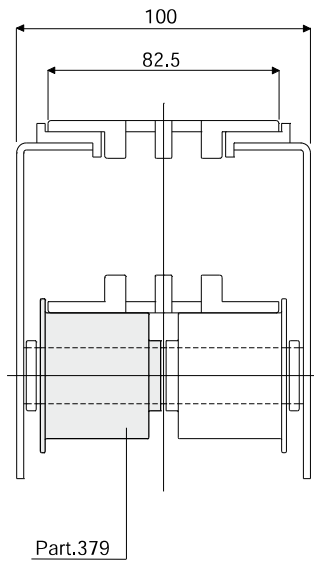


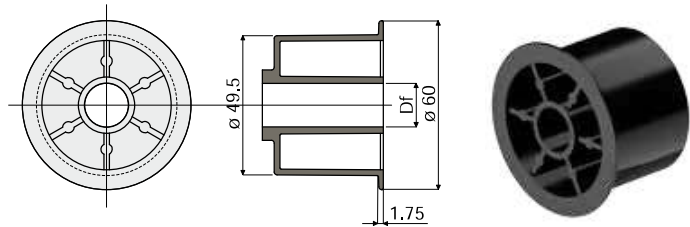
Return rollers

Example of application



Roller for chain return (with flange)

Part. **379**



Df Bore for pin of (mm)	Code
15	379 / 84069
20	379 / 84070

MATERIALS: Roller made of reinforced polyamide, black color.

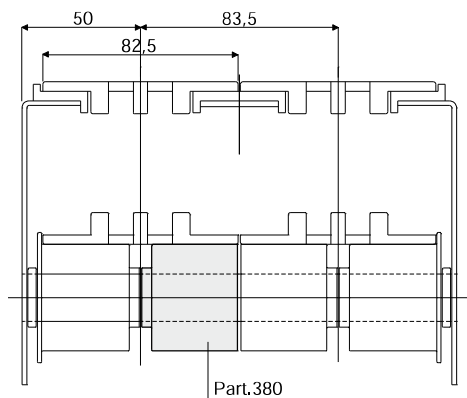
FEATURES: to be assembled in the chain return.

BOX QUANTITY: 96 pieces.

ON REQUEST:

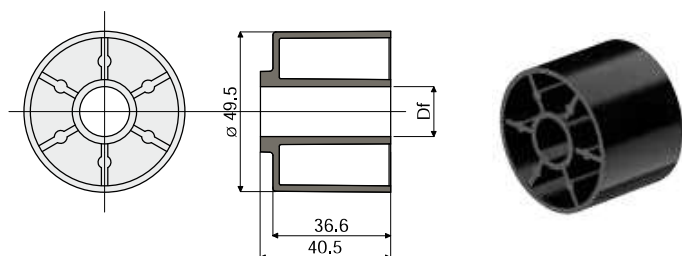
- Rollers: with special bores, in different colors.
- Box quantities: according to your request.

Example of application



Roller for chain return (without flange)

Part. **380**



Df Bore for pin of (mm)	Code
15	380 / 84071
20	380 / 84072

MATERIALS: Roller made of reinforced polyamide, black color.

FEATURES: To be assembled in the chain return.

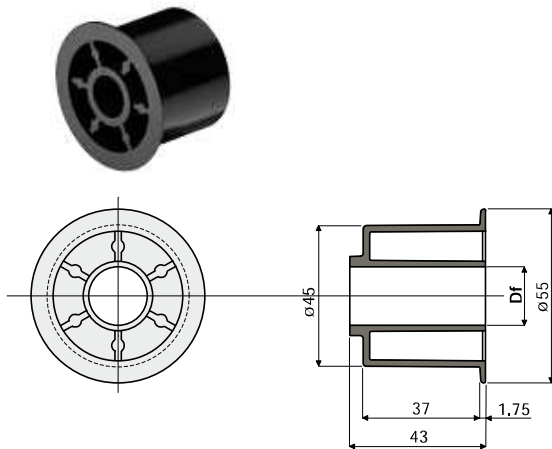
BOX QUANTITY: 96 pieces.

ON REQUEST:

- Rollers: With special bores, in different colors.
- Box quantities: According to your request.

Return rollers

Part. 270 Roller for chain return (with flange)



Df Bore for pin of (mm)	Code
15	270 / 82042
20	270 / 82043

MATERIALS: Roller made of polyamide black colour.

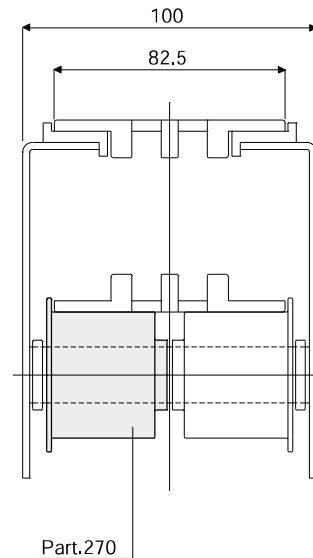
FEATURES: To be assembled in the chain return.

BOX QUANTITY: 96 pieces.

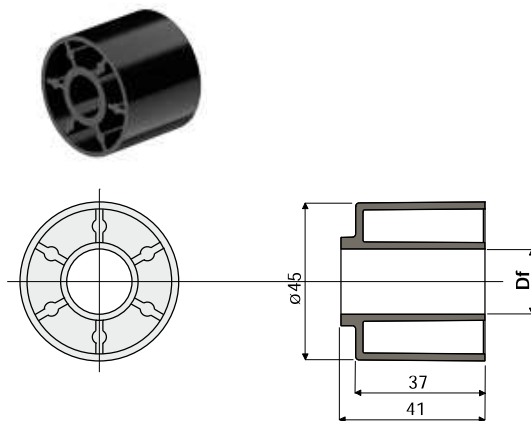
ON REQUEST:

- Rollers: Special bores, other colours.
- Box Quantity: According to your request.

Example of application



Part. 271 Roller for chain return (without flange)



Df Bore for pin of (mm)	Code
15	271 / 82044
20	271 / 82045

MATERIALS: Roller made of polyamide black colour.

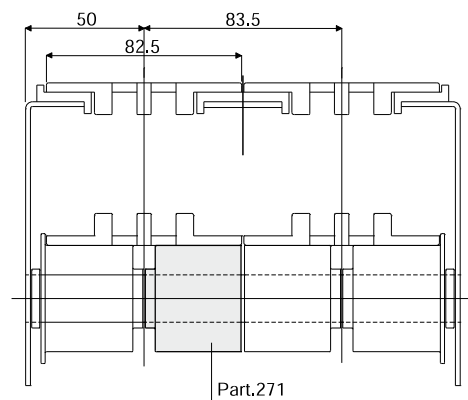
FEATURES: To be assembled in the chain return.

BOX QUANTITY: 96 pieces.

ON REQUEST:

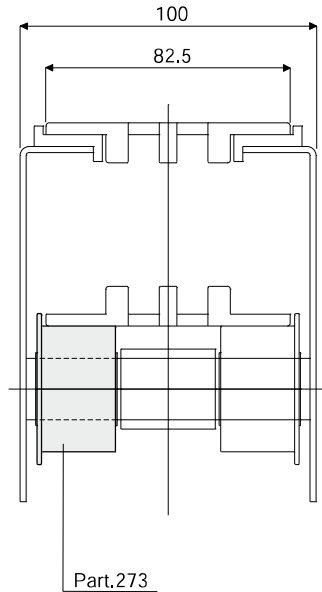
- Rollers: Special bores, other colours.
- Box Quantity: According to your request.

Example of application



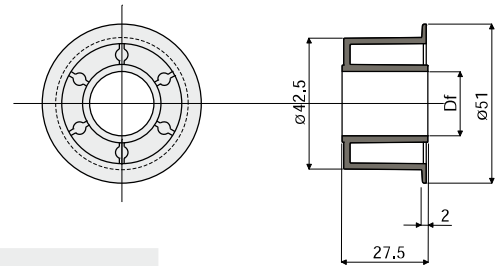
Return rollers

Example of application



Roller for chain return (with flange)

Part. **273**



Df Bore for pin of (mm)	Code
12	273 / 82048
16	273 / 82049
18	273 / 82050
20	273 / 82051

MATERIALS: Roller made of polyamide black colour.

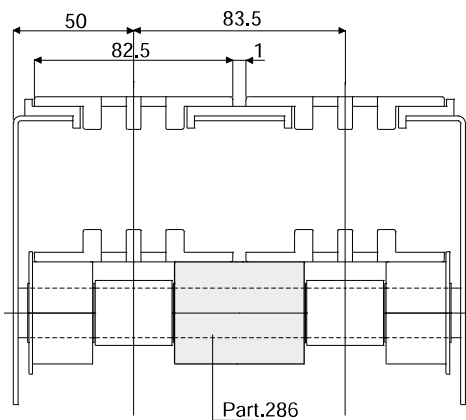
FEATURES: To be assembled in the chain return.

BOX QUANTITY: 96 pieces.

ON REQUEST:

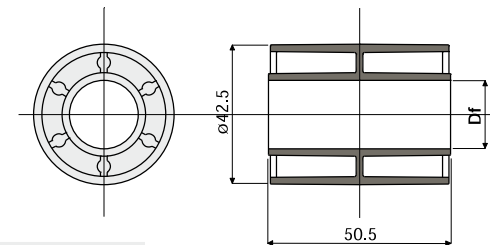
- Rollers: Special bores, other colours.
- Box Quantity: According to your request.

Example of application



Double roller for chain return (without central flange)

Part. **286**



Df Bore for pin of (mm)	Code
12	286 / 82532
16	286 / 82533
18	286 / 82534
20	286 / 82535

MATERIALS: Roller made of polyamide black colour.

FEATURES: To be assembled in the chain return.

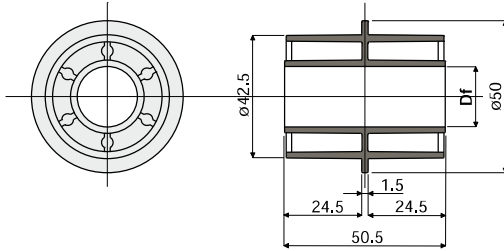
BOX QUANTITY: 96 pieces.

ON REQUEST:

- Rollers: Special bores, other colours.
- Box Quantity: According to your request.

Return rollers

Part. 287 Double roller for chain return (with central flange)



Df Bore for pin of (mm)	Code
12	287 / 82536
16	287 / 82537
18	287 / 82538
20	287 / 82539

MATERIALS: Roller made of polyamide black colour.

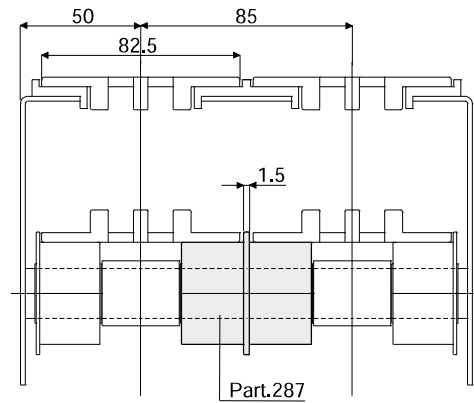
FEATURES: To be assembled in the chain return.

BOX QUANTITY: 96 pieces.

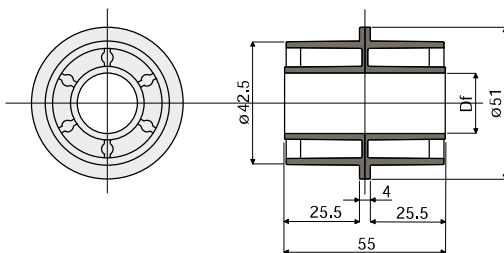
ON REQUEST:

- Rollers: Special bores, other colours.
- Box Quantity: According to your request.

Example of application



Part. 274 Double roller for chain return (with central flange)



Df Bore for pin of (mm)	Code
12	274 / 82052
16	274 / 82053
18	274 / 82054
20	274 / 82055

MATERIALS: Roller made of polyamide black colour.

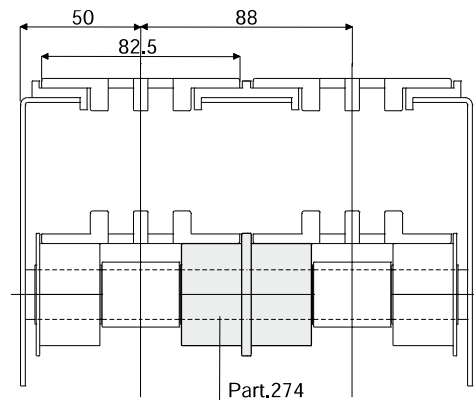
FEATURES: To be assembled in the chain return.

BOX QUANTITY: 96 pieces.

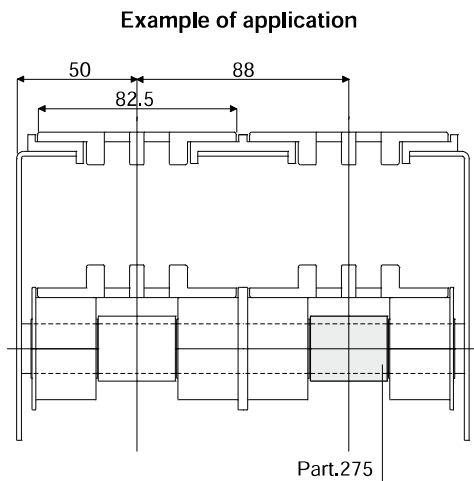
ON REQUEST:

- Rollers: Special bores, other colours.
- Box Quantity: According to your request.

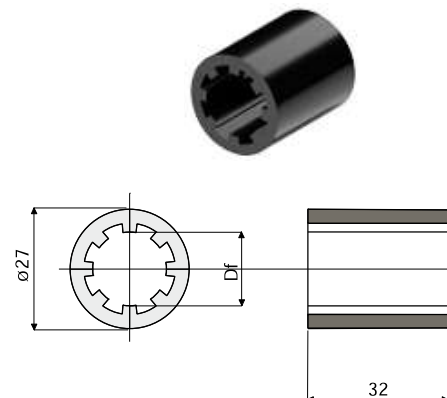
Example of application



Return rollers



Spacer for rollers for chain return Part. 275



Df Bore for pin of (mm)	Code
12	275 / 82056
16	275 / 82057
18	275 / 82058
20	275 / 82059

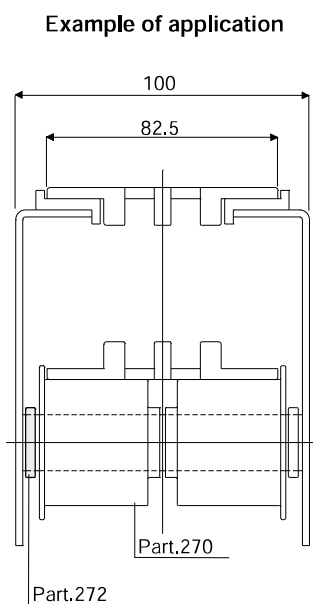
MATERIALS: Spacer made of polyamide black colour.

FEATURES: To be assembled in the chain return.

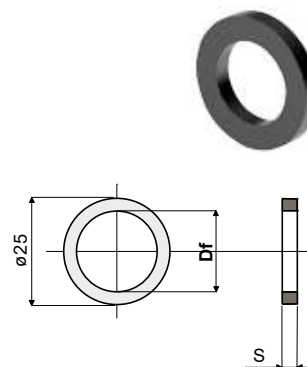
BOX QUANTITY: 96 pieces.

ON REQUEST:

- Spacers: Special bores, other colours.
- Box Quantity: According to your request.



Spacer for rollers for chain return Part. 272



Df Bore for pin of (mm)	S	Code
15	3,5	272 / 82046
20	3,5	272 / 82047
20	5,0	272 / 85186

MATERIALS: Spacer made of polyamide black colour.

FEATURES: To be assembled in the chain return.

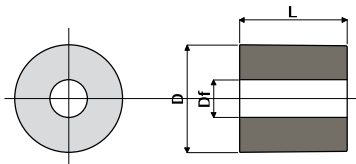
BOX QUANTITY: 96 pieces.

ON REQUEST:

- Spacers: Special bores, other colours.
- Box Quantity: According to your request.

Return rollers

Part. 302 Spacer for chain profiles



Df Bore diameter (mm)	D (mm)	L (mm)	Code
7	20	20	302 / 82797
7	20	27,5	302 / 82873

MATERIALS: Spacer made of reinforced polyamide black colour.

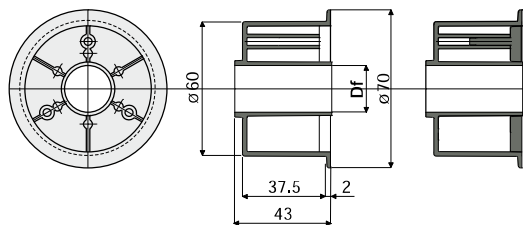
FEATURES: To be used as fixing spacer for chain profiles.

BOX QUANTITY: 96 pieces.

ON REQUEST:

- Spacers: With special bores and sizes.
- Box Quantity: According to your request.

Part. 250 Roller for chain return (with flange)



Without cap closure

With cap closure

Df Bore for pin of (mm)	Without cap closure	With cap closure
	Code	Code
15	250 / 82201	250 / 82219
16	250 / 82202	250 / 82220
18	250 / 82203	250 / 82221
20	250 / 82204	250 / 82222

MATERIALS: Roller made out of polyamide black colour; cap made out of polyamide grey colour.

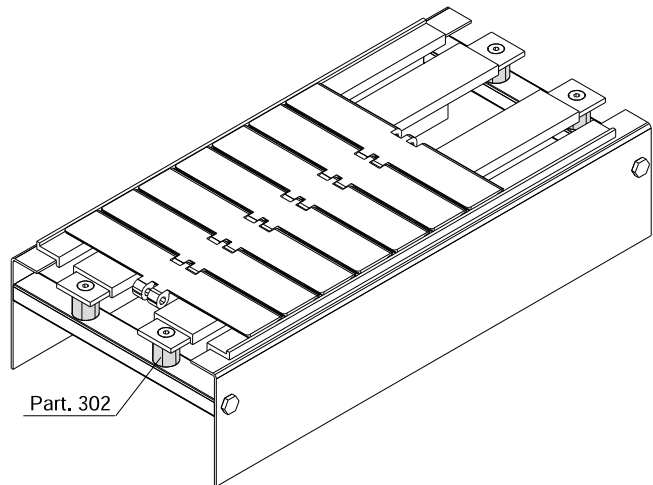
FEATURES: To be assembled in the chain return.

BOX QUANTITY: 96 pieces.

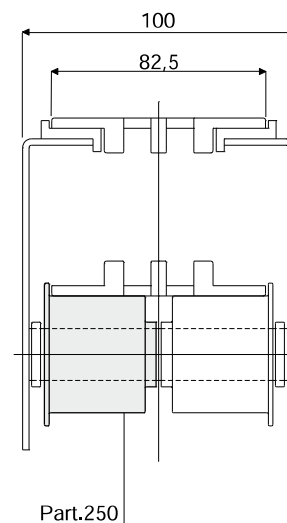
ON REQUEST:

- Rollers: Special bores, other colours.
- Box Quantity: According to your request.

Example of application

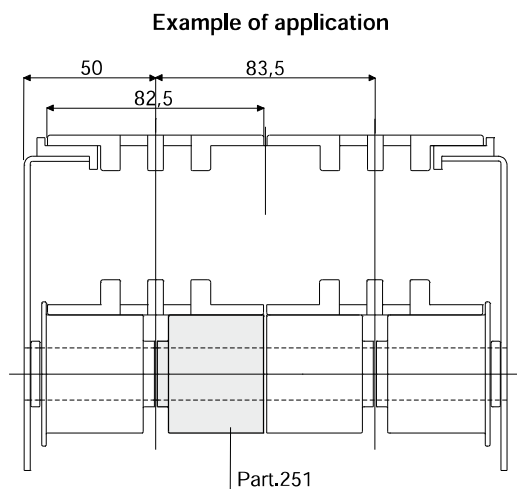


Example of application

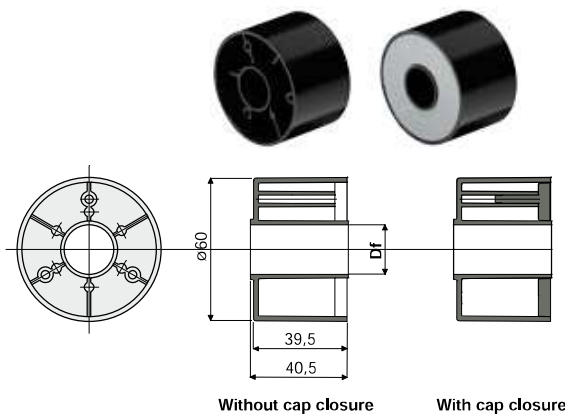


Part.250

Return rollers



Roller for chain return (without flange) Part. 251



Df Bore for pin of (mm)	Without cap closure	With cap closure
	Code	Code
15	251 / 82205	251 / 82223
16	251 / 82206	251 / 82224
18	251 / 82207	251 / 82225
20	251 / 82208	251 / 82226

MATERIALS: Roller made out of polyamide black colour; cap made out of polyamide grey colour.

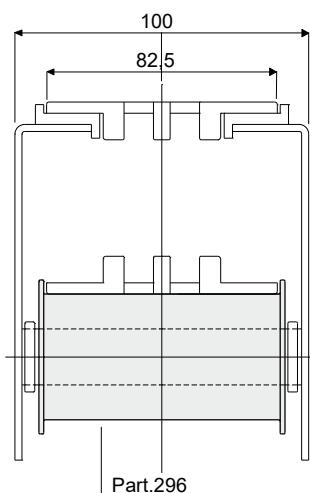
FEATURES: To be assembled in the chain return.

BOX QUANTITY: 96 pieces.

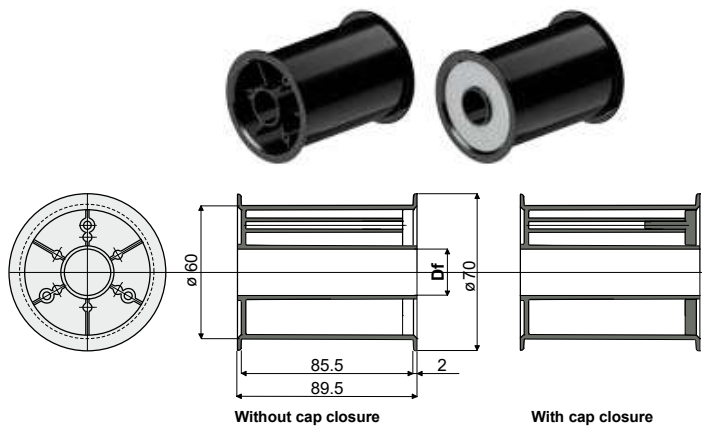
ON REQUEST:

- Rollers: Special bores, other colours.
- Box Quantity: According to your request.

Example of application



Roller for chain return (with double flange) Part. 296



Df Bore for pin of (mm)	Without cap closure	With cap closure
	Code	Code
12	296 / 82611	296 / 82612
14	296 / 82613	296 / 82614
15	296 / 82615	296 / 82616
16	296 / 82617	296 / 82618
18	296 / 82619	296 / 82620
20	296 / 82621	296 / 82622

MATERIALS: Roller made out of polyamide black colour; cap made out of polyamide grey colour.

FEATURES: To be assembled in the chain return.

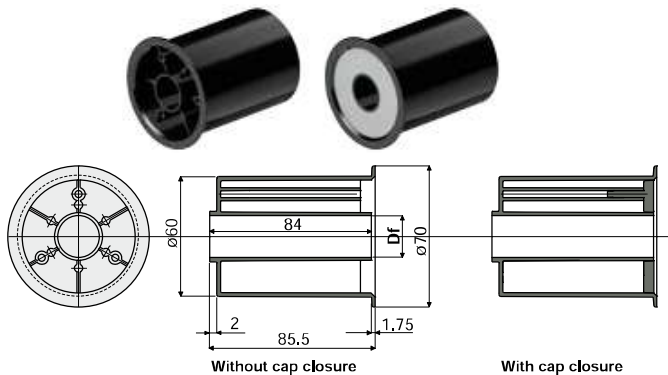
BOX QUANTITY: 48 pieces.

ON REQUEST:

- Rollers: Special bores, other colours.
- Box Quantity: According to your request.

Return rollers

Part. 252 Roller for chain return (with flange)



Df Bore for pin of (mm)	Without cap closure		With cap closure	
	Code		Code	
12	252 / 82624		252 / 82625	
14	252 / 82258		252 / 82259	
15	252 / 82227		252 / 82231	
16	252 / 82228		252 / 82232	
18	252 / 82229		252 / 82233	
20	252 / 82230		252 / 82234	
25	252 / 83307		-	
30	252 / 83309		-	

MATERIALS: Roller made out of polyamide black colour; cap made out of polyamide grey colour.

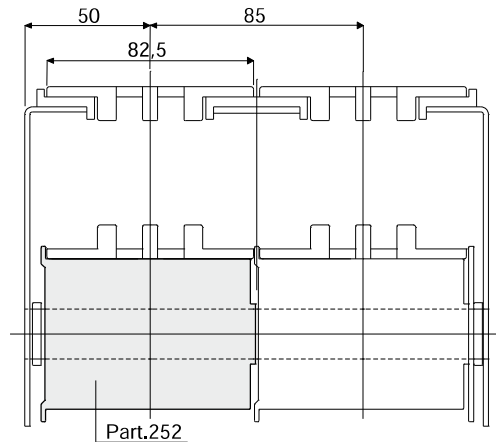
FEATURES: To be assembled in the chain return.

BOX QUANTITY: 48 pieces.

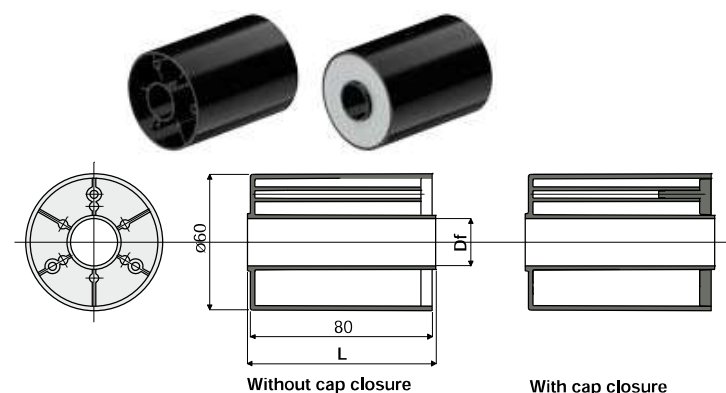
ON REQUEST:

- Rollers: Special bores, other colours.
- Box Quantity: According to your request.

Example of application



Part. 253 Roller for chain return (without flange)



Df Bore for pin of (mm)	Without cap closure		With cap closure	
	L = 82 mm Code	L = 84 mm Code	L = 82 mm Code	L = 84 mm Code
12	253 / 82626	253 / 82627	253 / 82628	253 / 82629
14	253 / 82260	253 / 82261	253 / 82262	253 / 82263
15	253 / 82235	253 / 82239	253 / 82243	253 / 82247
16	253 / 82236	253 / 82240	253 / 82244	253 / 82248
18	253 / 82237	253 / 82241	253 / 82245	253 / 82249
20	253 / 82238	253 / 82242	253 / 82246	253 / 82250
25	-	253 / 83313	-	-
30	-	253 / 83314	-	-

MATERIALS: Roller made out of polyamide black colour; cap made out of polyamide grey colour.

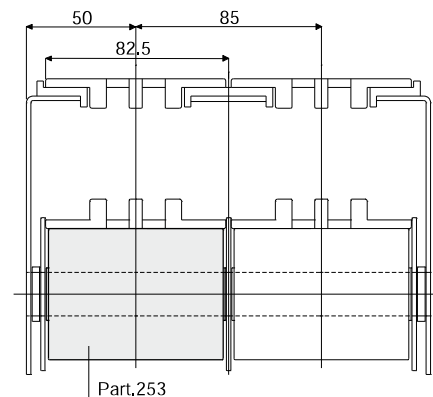
FEATURES: To be assembled in the chain return.

BOX QUANTITY: 48 pieces.

ON REQUEST:

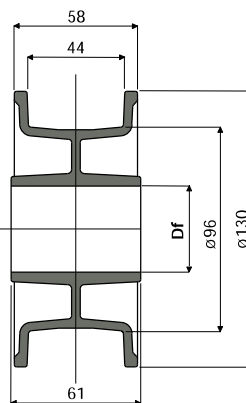
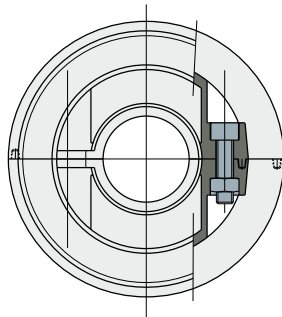
- Rollers: Special bores, other colours.
- Box Quantity: According to your request.

Example of application



Idler wheels

Part. 311 Split idler wheel 21 teeth (for chains series 812-815-820-831)



Df Bore for pin of (mm)	Code
25	311 / 82841
30	311 / 82842
35	311 / 82843
40	311 / 82844

MATERIALS: Wheel made of polyamide black colour; bolts and nuts made of stainless steel AISI 304.

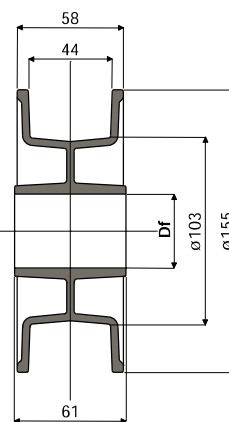
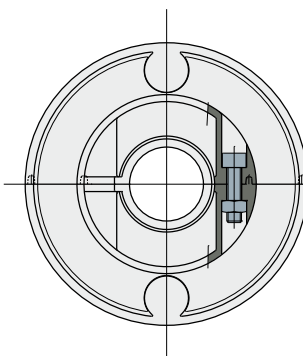
FEATURES: Supplied assembled. To be used for chain return in the series 812, 815, 820, 831.

BOX QUANTITY: 12 pieces.

ON REQUEST:

- **Wheels:** With special bores, other colours.
- **Box Quantity:** According to your request.

Part. 285 Split idler wheel 25 teeth (for chains series 812-815-820-831)



Df Bore for pin of (mm)	Code
25	285 / 82526
30	285 / 82528
35	285 / 82529
40	285 / 82530

MATERIALS: Wheel made of polyamide black colour; bolt and nuts made of stainless steel AISI 304.

FEATURES: Supplied assembled. To be used for chains Series 812, 815, 820, 831.

BOX QUANTITY: 12 pieces.

ON REQUEST:

- **Wheels:** With special bores, other colours, with customer brand.
- **Box Quantity:** According to your request.

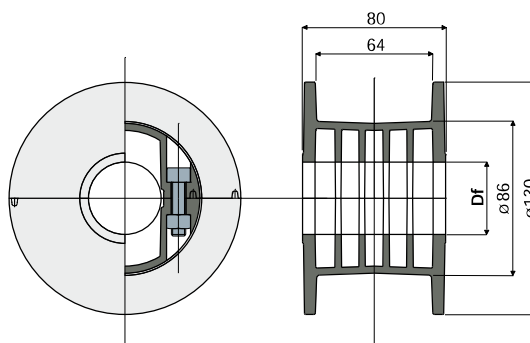
Idler wheels

Split idler wheel 10 teeth

(for chains series 879 Tab, 880 Tab and 881 Tab)

Part. **310**

Df Bore for pin of (mm)	Code
20	310 / 82827
25	310 / 82828
30	310 / 82829
35	310 / 82830
40	310 / 82831



MATERIALS: Wheel made of polyamide black colour; bolts and nuts made of stainless steel AISI 304.

FEATURES: Supplied assembled. To be used for chain return in series 879 Tab, 880 Tab and 881 Tab.

BOX QUANTITY: 12 pieces.

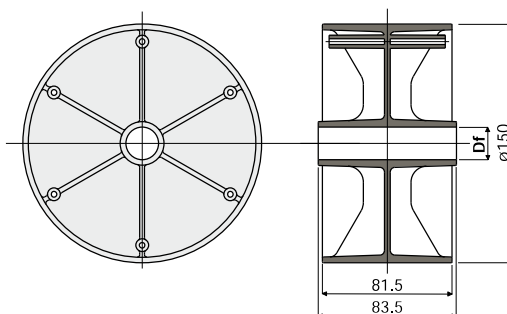
ON REQUEST:

- Wheels: With special bores, other colours.
- Box Quantity: According to your request.

Idler wheel for chain return

Part. **268**

Df Bore for pin of (mm)	Code
20	268 / 82040



MATERIALS: Wheel in polyamide black colour.

FEATURES: To be assembled in the chain return near to the sprocket.

BOX QUANTITY: 12 pieces.

ON REQUEST:

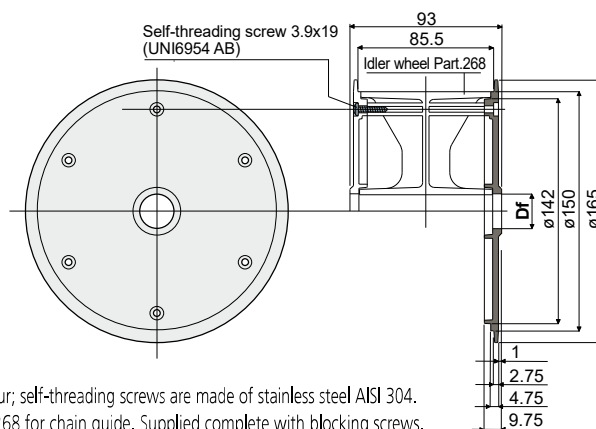
- Wheels: Other bore sizes, materials and colours.
- Box Quantity: According to your request.

Flange for chain guide

(for idler wheel Part. 268)

Part. **269**

Df Bore for pin of (mm)	Code
20	269 / 82041



MATERIALS: Flange is made of polyamide black colour; self-threading screws are made of stainless steel AISI 304.

FEATURES: To be assembled to our idler wheel Part.268 for chain guide. Supplied complete with blocking screws.

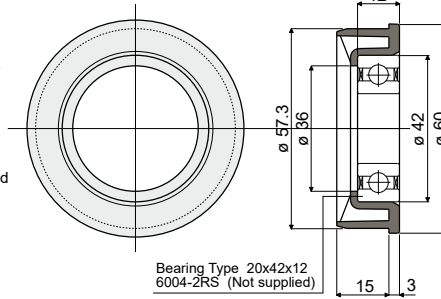
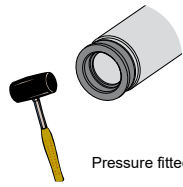
BOX QUANTITY: 24 pieces.

ON REQUEST:

- Flanges: Other bore sizes, materials and colours.
- Box Quantity: According to your request.

Bearing supports

Part. 300 Bearing-holder flange



Code	Bearing type
300 / 84814	6004/2RS
300 / 82682	Supplied without bearings

MATERIALS: Flange is made of polyamide black colour.

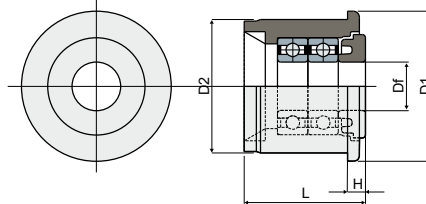
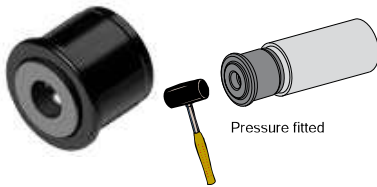
FEATURES: To be inserted in the tube sides D=60,3 thickness 1,5 mm to build a roller conveyor or rollers for chain return.

BOX QUANTITY: 24 pieces.

ON REQUEST:

- Flanges: Supplied assembled with bearings.
- Box Quantity: According to your request.

Part. 317 Bearing support for conveyor rollers (with protective shield)



Tube dimensions			Bore for pin of					Code	Bearing type
Outside \varnothing (mm)	Thickness (mm)	Inside \varnothing (mm)	D1 (mm)	D2 (mm)	H (mm)	L (mm)	Df (mm)		
25	1,5	22	25	22	3	20	8	317 / 82911	688/8-2RS
25	1,5	22	25	22	3	20	8	317 / 82912	Supplied without bearings

MATERIALS: Bearing support with internal part and external bushing made of polyamide black colour; bearing made of chrome steel.

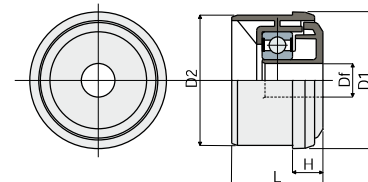
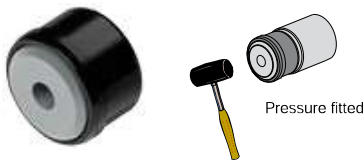
FEATURES: To be inserted in the tube sides to build a roller conveyor.

BOX QUANTITY: 24 pieces.

ON REQUEST:

- Bearing supports: other colours.
- Box Quantity: According to your request.

Part. 263 Bearing support for conveyor rollers (for idler roller)



Tube dimensions			Bore for pin of					Code	Bearing type
Outside \varnothing (mm)	Thickness (mm)	Inside \varnothing (mm)	D1 (mm)	D2 (mm)	H (mm)	L (mm)	Df (mm)		
50	1,5	47	50	47	11	30	12	263 / 82032	6202-2RS
50	1,5	47	50	47	11	30	14	263 / 82256	6202-2RS
60	1,5	57	60	57	15	53	12	263 / 85071	6202-2RS
60	1,5	57	60	57	15	53	14	263 / 85068	6202-2RS
60	2,0	56	60	56	15	53	12	263 / 85072	6202-2RS
60	2,0	56	60	56	15	53	14	263 / 85069	6202-2RS
60	2,75	54,5	60	54,5	15	53	12	263 / 85073	6202-2RS
60	2,75	54,5	60	54,5	15	53	14	263 / 85070	6202-2RS

MATERIALS: Bearing support with protective shield made of polyamide grey colour; external bushing made of polyamide black colour; bearing made of chrome steel.

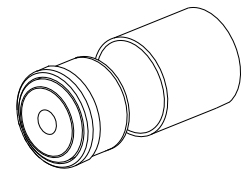
FEATURES: To be inserted in the tube sides to build a roller conveyor.

BOX QUANTITY: 24 pieces.

ON REQUEST:

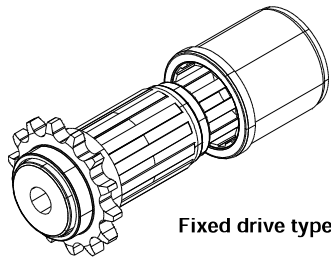
- Bearing supports: Other colours, bores with different sizes.
- Box Quantity: According to your request.

Example of assembly

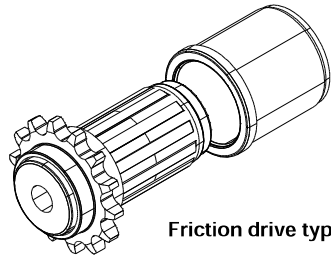


NEW

Bearing supports

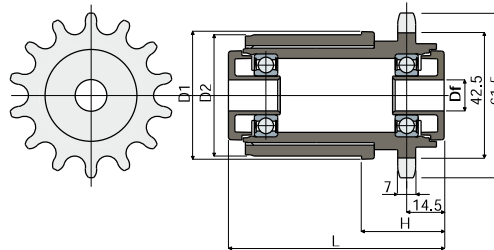


Fixed drive type



Friction drive type

Bearing support for conveyor rollers (for drive roller) Part. 264



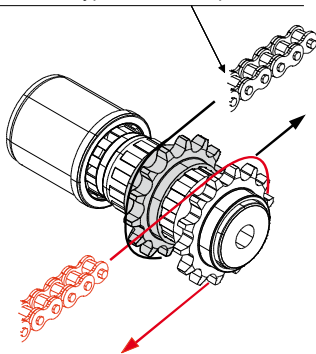
Tube dimensions			Bore for pin of					Fixed drive type	Friction drive type	Bearing type
Outside ø (mm)	Thickness (mm)	Inside ø (mm)	D1 (mm)	D2 (mm)	H (mm)	L (mm)	Df (mm)	Code	Code	
50	1,5	47	50	47	32	83	12	264 / 82033	264 / 82217	6002-2RS
50	1,5	47	50	47	32	83	14	264 / 82215	264 / 82218	6002-2RS
60	1,5	57	60	57	39	83	12	264 / 85074	264 / 84244	6002-2RS
60	1,5	57	60	57	39	83	14	264 / 85075	264 / 84245	6002-2RS
60	2,0	56	60	56	39	83	12	264 / 85076	264 / 84246	6002-2RS
60	2,0	56	60	56	39	83	14	264 / 85077	264 / 84247	6002-2RS
60	2,75	54,5	60	54,5	39	83	12	264 / 85078	264 / 84251	6002-2RS
60	2,75	54,5	60	54,5	39	83	14	264 / 85079	264 / 84253	6002-2RS

MATERIALS: Bearing support with protective shield made of polyamide grey colour; external bushing made of polyamide black colour; bearing made of chrome steel.
FEATURES: To be inserted in the tube sides to build a roller conveyor. Drive sprocket with 14 teeth for roller chain type DIN 8187-08-b1.
BOX QUANTITY: 24 pieces.

ON REQUEST:

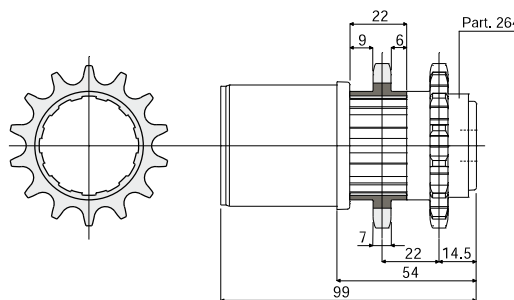
- Bearing supports: other colours, bores with different sizes.
- Box Quantity: According to your request.

Roller chain type DIN 8187 tipo 08-B1



Example of assembly

14 teeth sprocket Part. 265 (for bearing support Part. 264)



Code
265 / 82034

MATERIALS: Drive sprocket is made of polyamide black colour.
FEATURES: Accessory to be used with bearing support Part.264 to make the drive roller to roller. This drive type allows a greater torque.
BOX QUANTITY: 24 pieces.

ON REQUEST:

- Sprockets: other colours.
- Box Quantity: According to your request.