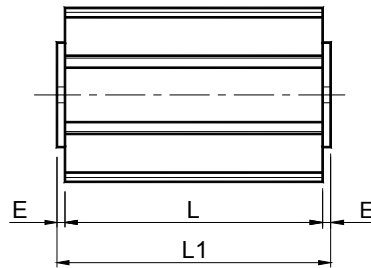
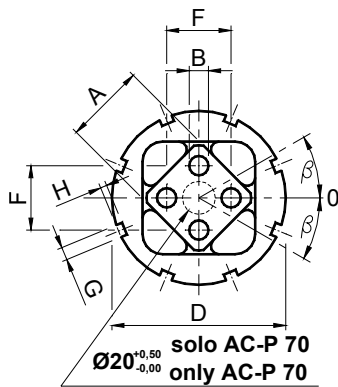
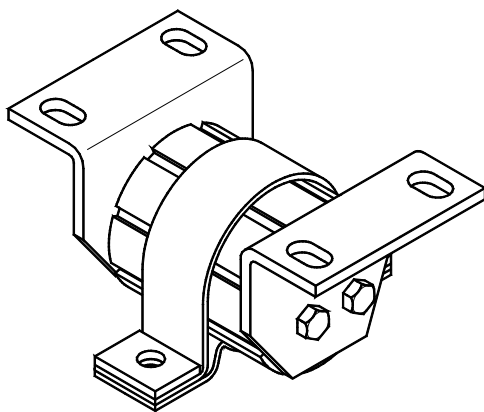


Componenti Elastici **VIB** Tipo: **AC-P** / Rubber Suspension Units **VIB** Type: **AC-P**



Tipo Type	Cod. N°	A	B	D	E	F	G	H	L	L1	Carico di torsione Q in Nm con $\alpha\beta$						Peso Weight in kg	
											Torque Q in Nm at $\alpha\beta$							
												5°	10°	15°	20°	25°	30°	
AC-P 20x 25	RE020215	15	5 <sup>+0.50</sup> / <sub>+0.00</sub>	36 <sup>+0.30</sup> / <sub>+0.00</sub>	2,5	10 ±0.2	5	2,5	25	30	0,7	1,6	2,5	3,8	5,4	7,8	0,05	
AC-P 20x 40	RE020216	15	5 <sup>+0.50</sup> / <sub>+0.00</sub>	36 <sup>+0.30</sup> / <sub>+0.00</sub>	2,5	10 ±0.2	5	2,5	40	45	1,1	2,5	4,0	6,1	8,7	12,5	0,09	
AC-P 20x 60	RE020217	15	5 <sup>+0.50</sup> / <sub>+0.00</sub>	36 <sup>+0.30</sup> / <sub>+0.00</sub>	2,5	10 ±0.2	5	2,5	60	65	1,6	3,8	6,0	9,2	13,0	18,8	0,12	
AC-P 30x 30	RE020220	18	6 <sup>+0.50</sup> / <sub>+0.00</sub>	45 <sup>+0.40</sup> / <sub>+0.00</sub>	2,5	12 ±0.3	5	2,5	30	35	1,8	4,2	7,0	10,5	14,3	19,5	0,12	
AC-P 30x 50	RE020221	18	6 <sup>+0.50</sup> / <sub>+0.00</sub>	45 <sup>+0.40</sup> / <sub>+0.00</sub>	2,5	12 ±0.3	5	2,5	50	55	3,0	7,0	11,7	17,5	23,8	32,5	0,17	
AC-P 30x 80	RE020222	18	6 <sup>+0.50</sup> / <sub>+0.00</sub>	45 <sup>+0.40</sup> / <sub>+0.00</sub>	2,5	12 ±0.3	5	2,5	80	85	4,8	11,2	18,9	28,0	38,2	52,0	0,31	
AC-P 40x 40	RE020225	27	8 <sup>+0.50</sup> / <sub>+0.00</sub>	62 <sup>+0.50</sup> / <sub>+0.00</sub>	2,5	20 ±0.4	6	3	40	45	4,7	10,2	16,5	25,6	37,6	54,2	0,25	
AC-P 40x 60	RE020226	27	8 <sup>+0.50</sup> / <sub>+0.00</sub>	62 <sup>+0.50</sup> / <sub>+0.00</sub>	2,5	20 ±0.4	6	3	60	65	6,8	15,3	24,8	38,4	56,4	81,3	0,37	
AC-P 40x 100	RE020227	27	8 <sup>+0.50</sup> / <sub>+0.00</sub>	62 <sup>+0.50</sup> / <sub>+0.00</sub>	2,5	20 ±0.4	6	3	100	105	11,8	25,5	41,2	64,0	94,0	135,5	0,62	
AC-P 50x 60	RE020230	38	10 <sup>+0.50</sup> / <sub>+0.00</sub>	80 <sup>+0.60</sup> / <sub>+0.00</sub>	5	25 ±0.4	7	3,5	60	70	12,4	29,0	48,2	74,0	107,5	153,5	0,67	
AC-P 50x 80	RE020231	38	10 <sup>+0.50</sup> / <sub>+0.00</sub>	80 <sup>+0.60</sup> / <sub>+0.00</sub>	5	25 ±0.4	7	3,5	80	90	16,5	38,7	64,3	98,7	143,4	204,7	0,88	
AC-P 50x 120	RE020232	38	10 <sup>+0.50</sup> / <sub>+0.00</sub>	80 <sup>+0.60</sup> / <sub>+0.00</sub>	5	25 ±0.4	7	3,5	120	130	24,7	58,0	96,4	148,0	215,0	307,0	1,31	
AC-P 60x 80	RE020235	45	12 <sup>+0.50</sup> / <sub>+0.00</sub>	95 <sup>+0.80</sup> / <sub>+0.00</sub>	5	35 ±0.5	8	4	80	90	26,4	60,0	98,6	152,4	210,5	302,0	1,29	
AC-P 60x 100	RE020236	45	12 <sup>+0.50</sup> / <sub>+0.00</sub>	95 <sup>+0.80</sup> / <sub>+0.00</sub>	5	35 ±0.5	8	4	100	110	33,0	75,0	123,2	190,5	263,1	377,5	1,54	
AC-P 60x 150	RE020237	45	12 <sup>+0.50</sup> / <sub>+0.00</sub>	95 <sup>+0.80</sup> / <sub>+0.00</sub>	5	35 ±0.5	8	4	150	160	49,5	112,5	184,8	285,8	394,6	566,3	2,32	
AC-P 70x 120	RE020240	50	M12x40	108 <sup>+1.00</sup> / <sub>+0.00</sub>	5	40 ±0.5	8	4	120	130	50,0	121,0	225,0	356,0	513,0	741,0	2,42	
AC-P 70x 200	RE020241	50	M12x40	108 <sup>+1.00</sup> / <sub>+0.00</sub>	5	40 ±0.5	8	4	200	210	100,0	237,0	428,0	670,0	963,0	1378,0	4,11	
AC-P 70x 300	RE020242	50	M12x40	108 <sup>+1.00</sup> / <sub>+0.00</sub>	5	40 ±0.5	8	4	300	310	147,0	350,0	630,0	990,0	1431,0	2052,0	6,32	



Tipo **AC-P** con staffe **SC** e **SB**  
Type **AC-P** with **SC** and **SB** clamps

**MATERIALI**

Il corpo esterno ed il quadro interno sono profilati di alluminio.

**TRATTAMENTI**

Il corpo esterno è verniciato a forno mentre il quadro interno è sabbiato.

**FISSAGGIO**

Il fissaggio sul perno centrale avviene mediante viti ottenendo così un montaggio sicuro e privo di giochi. Per il montaggio possono essere impiegate anche staffe del tipo **SB** o **SY**. Per il fissaggio dell'elemento esterno si possono utilizzare le staffe tipo **SC**. Le scanalature sul corpo esterno servono per pre-caricare l'elemento elastico mediante l'uso di una chiave a settore.

**MATERIALS**

The external body and the inner square are made of light alloy profile.

**TREATMENTS**

The external body is oven-painted while the inner square is sandblasted.

**FITTING**

The central pin is fixed with screws for more stable and safe assembly. For the assembling operation, **SB** and **SY**-type brackets can also be used. The external element can be fixed with the **SC** clamps. The grooves on the outer body help pre-load the elastic element by means of a sector key.