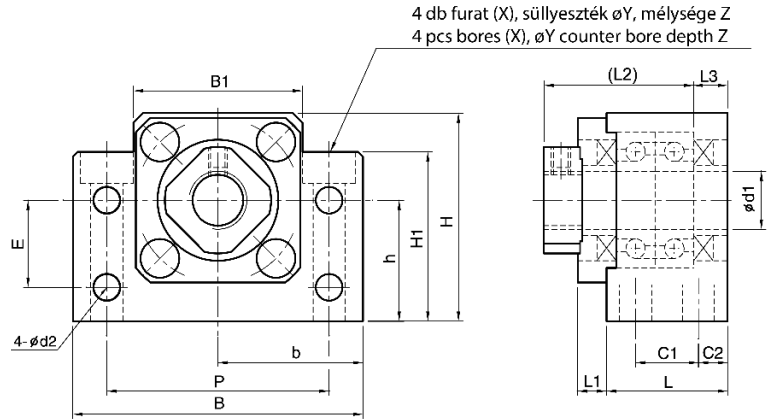


BK TÍPUS
BK TYPE



Cikkszám Code		Típus Type	Csapágy Bearing	d1	L	L1	L2	L3	C1	C2	B	H	b±0,02	h±0,02	B1	H1	E	P	d2	X	Y	Z
Minőségi csapágy Quality bearing	Kínai csapágy Chinese bearing			(mm)																		
82.001.007	82.018.007	BK10	7000A P0	10	25	5	29	5	13	6	60	39	30	22	34	32.5	15	46	5.5	6.6	10.8	5
82.001.009	82.018.009	BK12	7001A P0	12	25	5	29	5	13	6	60	43	30	25	34	32.5	18	46	5.5	6.6	10.8	1.5
82.001.012	82.018.012	BK15	7002A P0	15	27	6	32	6	15	6	70	48	35	28	40	38	18	54	5.5	6.6	11	6.5
82.001.014	82.018.014	BK17	7203A P0	17	35	9	44	7	19	8	86	64	43	39	50	55	28	68	6.6	9	14	8.5
82.001.017	82.018.017	BK20	7004A P0	20	35	8	43	8	19	8	88	60	44	34	52	50	22	70	6.6	9	14	8.5
82.001.022	82.018.022	BK25	7205A P0	25	42	12	54	9	22	10	106	80	53	48	64	70	33	85	9	11	17.5	11
82.001.027	82.018.027	BK30	7206A P0	30	45	14	61	9	23	11	128	89	64	51	76	78	33	102	11	14	20	13
82.001.032	82.018.032	BK35	7207B P0	35	50	14	67	12	26	12	140	96	70	52	88	79	35	114	11	14	20	13
82.001.037	82.018.037	BK40	7208B P0	40	61	18	76	15	33	14	160	110	80	60	100	90	37	130	14	18	26	17.5