



PIGNONI

SPROCKETS

Pignoni - Sprockets

Pignoni per catene semplici, a rulli secondo DIN 8187/8188 ISO/R 606, in Nylon 6 30% fv.
Sprockets for simple chains with rollers according to DIN 8187/8188 ISO/R 606 in Nylon 6÷30% gf

Passo 3/8"x7/32" - 06B-1 Pitch 3/8"x7/32"

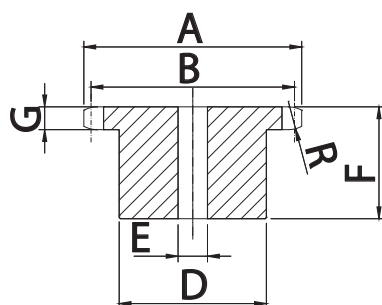
CODICE	Z	A	B	D	E	F	STOCK
PG38Z012S	12	40.5	36.80	25	8	25	√
PG38Z013S	13	43.5	39.80	28	8	25	√
PG38Z014S	14	46.5	42.80	30	8	25	√
PG38Z015S	15	49.5	45.81	34	10	25	√
PG38Z016S	16	52.5	48.82	35	10	28	-
PG38Z017S	17	55.5	51.83	35	10	28	√
PG38Z018S	18	58.6	54.85	40	10	28	√
PG38Z019S	19	61.6	57.87	44	12	28	√
PG38Z020S	20	64.6	60.89	44	12	28	√
PG38Z021S	21	67.6	63.91	48	12	28	√
PG38Z025S	25	79.7	76.00	57	12	28	√
PG38Z030S	30	94.8	91.12	40	12	28	√
PG38Z036S	36	113.0	109.2	70	16	30	√
PG38Z048S	48	150.2	145.6	60	16	30	-

Passo 1/2"x5/16" - 08B-1 Pitch 1/2"x5/16"

CODICE	Z	A	B	D	E	F	STOCK
PG12Z009S	9	38.0	33.18	20	10	25	√
PG12Z010S	10	45.9	41.10	26	10	28	√
PG12Z012S	12	53.9	49.07	32	10	28	√
PG12Z013S	13	57.9	53.06	37	10	28	-
PG12Z014S	14	63.2	57.07	41	10	28	√
PG12Z015S	15	65.9	61.09	45	10	28	√
PG12Z016S	16	69.9	65.10	45	11	28	√
PG12Z017S	17	74	69.11	50	11	28	√
PG12Z018S	18	78	73.14	50	11	28	√
PG12Z019S	19	82.0	77.16	60	11	28	-
PG12Z020S	20	86	81.19	50	11	28	√
PG12Z021S	21	90.1	85.22	50	11	28	√
PG12Z028S	28	118.3	113.4	70	16	29	√
PG12Z030S	30	126.3	121.5	80	16	30	-
PG12Z036S	36	150.6	145.7	90	16	35	-
PG12Z038S	38	158.6	153.8	90	16	35	-

Passo 5/8"x3/8" - 10B-1 Pitch 5/8"x3/8"

CODICE	Z	A	B	D	E	F	STOCK
PG58Z012S	12	68.2	61.34	42	12	30	-
PG58Z013S	13	73.2	66.32	47	12	30	-
PG58Z015S	15	83.2	76.36	50	14	30	√
PG58Z017S	17	93.3	86.39	50	14	30	√
PG58Z020S	20	108.4	101.49	75	14	30	-
PG58Z025S	25	133.6	126.66	80	16	30	-
PG58Z030S	30	158.8	151.87	90	20	35	-

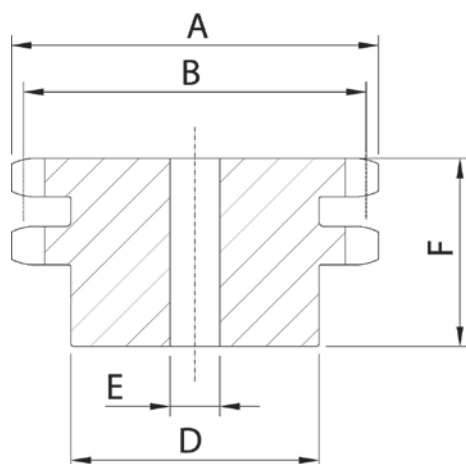


INCH	MM
3/8"x7/32"	9,525x5,72
1/2"x5/16"	12,7x7,75
5/8"x3/8"	15,875x9,65

Pignoni per catene doppie e triple, a rulli secondo DIN 8187/8188 ISO/R 606, in Nylon 6÷30% fv.
 Sprockets for double and triple roller chains according to DIN 8187/8188 ISO/R 606 in Nylon PA 6÷30% gf

Doppio Double

CODICE	PASSO	Z	A	B	D	E	F	STOCK
PG38Z021D	3/8	21	67,6	63,91	52	16	40	✓
PG12Z014D	1/2	14	61,9	57,07	42	12	35	✓
PG12Z015D	1/2	15	65,9	61,09	46	12	35	✓



Triplo Triple

CODICE	PASSO	Z	A	B	D	E	F	STOCK
PG38Z021TR	3/8	21	67,6	63,91	52	16	40	✓
PG12Z014TR	1/2	14	61,9	57,07	42	12	50	✓
PG12Z015TR	1/2	15	65,9	61,09	46	12	50	✓

