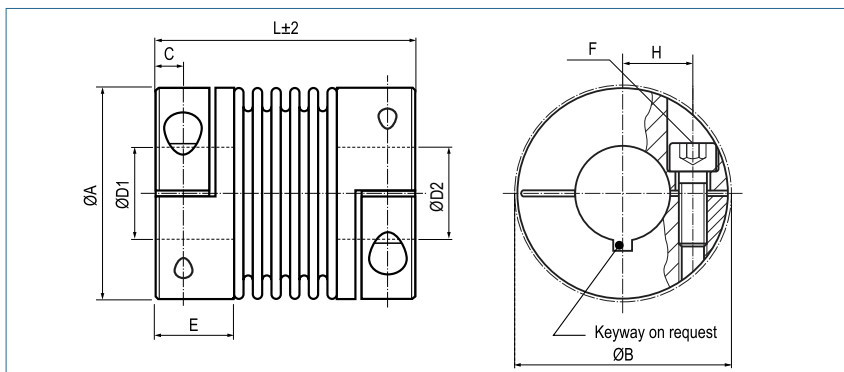


**Metal Bellows Coupling**

with collet clamps

optional  
laserwelded  
optional full stainless  
steel version



**Order Code**

**KB4 / 60 - 89 - 12 - 32 - (S)**  
 Type / Size                      Length L                      ØD1 (H7)                      ØD2 (H7)                      Options

| Size | Torque TKN (Nm) | Dimensions (mm) |         |                         |    |      |      |       |                         | Technical Data |                            |                           |                  |                 |                 |                |                 |                 |
|------|-----------------|-----------------|---------|-------------------------|----|------|------|-------|-------------------------|----------------|----------------------------|---------------------------|------------------|-----------------|-----------------|----------------|-----------------|-----------------|
|      |                 | L               | Ø A     | D1/D2                   | H  | C    | E    | B     | F                       | Mass (kg)      | Moment of Inertia J (g m²) | Spring Stiffness          |                  |                 | Misalignment    |                |                 | max speed min-1 |
|      |                 | Length          | Outer Ø | Bore Sizes (H7) min-max |    |      |      |       | Screw (ISO4762) TA (Nm) |                |                            | torsional CT 10³ (Nm/rad) | radial CR (N/mm) | axial CA (N/mm) | radial ΔKr (mm) | axial ΔKa (mm) | angular ΔKw (°) |                 |
| 18   | 18              | 63              | 45      | 10-25.4                 | 17 | 5.5  | 19.5 | 47.4  | M5                      | 0.1            | 0.04                       | 20                        | 205              | 50              | 0.2             | 0.5            | 1.5             | 12800           |
|      |                 | 71              |         |                         |    |      |      |       | 8                       | 0.15           | 0.05                       | 15                        | 82               | 36              | 0.25            | 0.5            | 2               | 12800           |
| 30   | 30              | 65              | 56      | 10-32                   | 20 | 7.5  | 24.5 | 56.4  | M6                      | 0.3            | 0.15                       | 38                        | 720              | 50              | 0.15            | 0.6            | 1.5             | 10300           |
|      |                 | 73              |         | 15                      |    |      |      |       | 0.32                    | 0.16           | 28                         | 225                       | 28               | 0.25            | 1               | 2              | 10300           |                 |
| 60   | 60              | 79              | 66      | 12-35                   | 23 | 10   | 29   | 66    | M8                      | 0.5            | 0.33                       | 75                        | 1150             | 90              | 0.15            | 0.6            | 1.5             | 8700            |
|      |                 | 89              |         | 40                      |    |      |      |       | 0.6                     | 0.36           | 50                         | 340                       | 50               | 0.25            | 1               | 2              | 8700            |                 |
| 80   | 80              | 91              | 82      | 14-44                   | 28 | 11   | 33.5 | 82.9  | M10                     | 2.3            | 2.3                        | 128                       | 1200             | 80              | 0.2             | 0.5            | 1.5             | 6900            |
|      |                 | 102             |         | 84                      |    |      |      |       | 2.4                     | 2.4            | 75                         | 400                       | 50               | 0.25            | 0.8             | 2              | 6900            |                 |
| 150  | 150             | 91              | 82      | 19-44                   | 28 | 11   | 33.5 | 82.9  | M10                     | 2.3            | 2.5                        | 155                       | 2020             | 145             | 0.2             | 0.5            | 1.5             | 6900            |
|      |                 | 102             |         | 84                      |    |      |      |       | 2.4                     | 2.6            | 105                        | 595                       | 85               | 0.25            | 0.8             | 2              | 6900            |                 |
| 200  | 200             | 101             | 90      | 22-47                   | 31 | 13   | 38   | 90.8  | M12                     | 2.6            | 3.3                        | 175                       | 2500             | 145             | 0.2             | 0.5            | 1.5             | 6400            |
|      |                 | 113             |         | 125                     |    |      |      |       | 2.7                     | 3.5            | 120                        | 460                       | 82               | 0.25            | 0.8             | 2              | 6400            |                 |
| 300  | 300             | 105             | 110     | 30-60                   | 40 | 13   | 38   | 110   | M12                     | 4.3            | 7.6                        | 502                       | 6300             | 280             | 0.2             | 0.5            | 1.5             | 6000            |
|      |                 | 116             |         | 145                     |    |      |      |       | 4.4                     | 7.8            | 285                        | 1400                      | 145              | 0.25            | 0.8             | 2              | 6000            |                 |
| 500  | 500             | 112             | 122     | 35-70                   | 42 | 15   | 42   | 122   | M12                     | 5.5            | 13.5                       | 690                       | 7790             | 100             | 0.2             | 0.5            | 1.5             | 5000            |
|      |                 | 123             |         | 145                     |    |      |      |       | 5.6                     | 13.7           | 320                        | 970                       | 85               | 0.25            | 1               | 2              | 5000            |                 |
| 800  | 800             | 168             | 157     | 40-80                   | 55 | 22.5 | 55   | 170.3 | 2xM20<br>400            | 14.3           | 56.9                       | 1270                      | 700              | 275             | 0.2             | 0.8            | 1.8             | 5000            |
| 1400 | 1400            | 168             | 157     | 50-80                   | 55 | 22.5 | 55   | 170.3 | 2xM20<br>470            | 14.8           | 57.7                       | 1270                      | 700              | 275             | 0.2             | 0.8            | 1.8             | 5000            |

|                          |  |
|--------------------------|--|
| <b>Material</b>          | bellows - stainless steel<br>hub -size 18 - 60: aluminium<br>hub - from size 80: steel |
| <b>Hub</b>               | bore tolerance: H7   |
| <b>Temperature Range</b> | -30 °C ~ 120 °C<br>size 800/1400: -30 °C ~ 250 °C                                      |
| <b>Keyway</b>            | optional acc. DIN 6885<br>biggest bore marked with a #                                 |