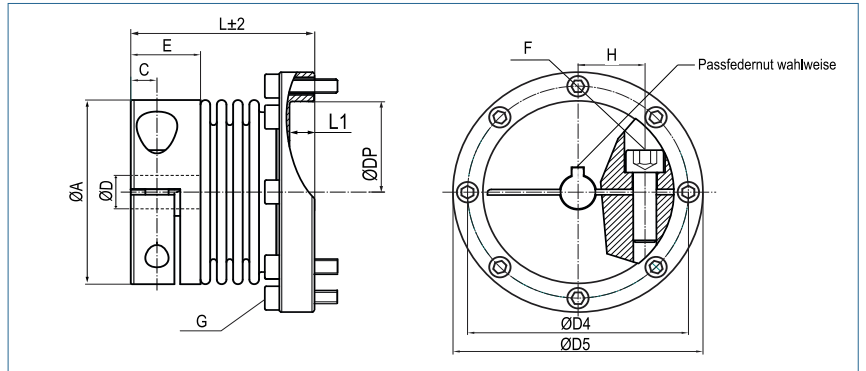


Metal Bellows Coupling

zum Flanschanbau

optional
laserwelded
optional full stainless
steel version



Order Code

KB4F / 150 - 84 - 30 - 80

Type / Size

Length
L

ØD
(H7)

DP

Size	Torque TKN (Nm)	Dimensions (mm)											Technical Data									
		L	L1	ØA	D1	H	C	E	D4	D5	DP	F	G	Mass (kg)	Moment of Inertia J (g m ²)	Spring Stiffness			Misalignment			max. speed (min ⁻¹)
				Bore Size (H7) min~max						H7	Screw ISO4762 TA (Nm)	Screw ISO4762 TA (nm)			torsional CT 10 ³ (Nm/rad)	radial CR (N/mm)	axial CA (N/mm)	radial ΔKr (mm)	axial ΔKa (mm)	angular ΔKw (°)		
18	18	57.5	7.5	45	10-25.4	17	5.5	17.5	56.5	63.5	44	M5	8xM4	0.24	0.13	20	205	50	0.2	0.5	1.5	12800
		66										8	4.5	0.26	0.13	15	82	36	0.25	0.5	2	
30	30	55.5	8.5	56	10-32	20	7.3	21	65	74	55	M6	8xM5	0.38	0.29	38	720	50	0.15	0.6	1.5	10300
		64			30#							15	8	0.40	0.29	28	225	28	0.25	1.0	2	
60	60	63	8.5	66	12-35	23	8.6	24	76	86	65	M8	8xM5	0.57	0.56	75	1150	90	0.15	0.6	1.5	8700
		74.5										40	8	0.62	0.58	50	340	50	0.25	1.0	2	
150	150	73.5	8.5	82	14-44	28	9.8	27	94	104	80	M10	8xM6	0.87	1.33	155	2020	145	0.2	0.5	1.5	6900
		85.5										84	15	0.92	1.34	105	595	85	0.25	0.8	2	
300	300	85.5	10	110	30-60	40	11.8	32.5	120	132	105	M12	12xM6	1.78	4.39	502	6300	280	0.2	0.5	1.5	6000
		96.5										145	15	1.88	4.42	285	1400	145	0.25	0.8	2	
500	500	91	10	122	35-70	42	13.3	36	142	155	130	M12	12xM8	2.15	6.98	690	7790	100	0.2	0.5	1.5	5000
		104										145	40	2.30	7.09	320	970	85	0.25	1	2	
1400	1400	130.5	11	157	50-80	55	22.5	55	171	184	152	2xM20	16xM8	9.07	38.07	1270	700	275	0.2	0.8	1.8	5000
												470	40									

Material	bellows - stainless steel collet clamps - to Size 500: high-tensile aluminium collet clamps - Size 1400: Steel flanges - steel
Hub	bore tolerance: H7
Temperature Range	-30 °C ~ 120 °C -30 °C ~ 250 °C (Size 1400)
Keyway	optional acc. DIN 6885 biggest bore marked with a #