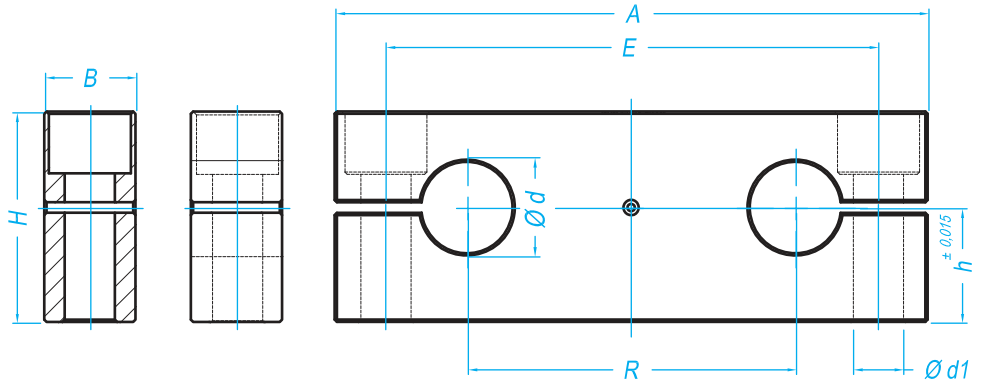


**Type KTA**



| Référence<br>Type | Dimensions - mm |     |    |    |      |     |      |     | Poids - Weight |
|-------------------|-----------------|-----|----|----|------|-----|------|-----|----------------|
|                   | Ø d             | A   | B  | H  | h    | E   | Ød1  | R   | g              |
| KTA8              | 8               | 65  | 12 | 23 | 12,5 | 52  | 5,5  | 32  | 40             |
| KTA12             | 12              | 85  | 14 | 32 | 18   | 70  | 6,6  | 42  | 90             |
| KTA16             | 16              | 100 | 18 | 36 | 20   | 82  | 9    | 54  | 140            |
| KTA20             | 20              | 130 | 20 | 46 | 25   | 108 | 11   | 72  | 260            |
| KTA25             | 25              | 160 | 25 | 56 | 30   | 132 | 13,5 | 88  | 470            |
| KTA30             | 30              | 180 | 25 | 64 | 35   | 150 | 13,5 | 96  | 630            |
| KTA40             | 40              | 230 | 30 | 80 | 44   | 190 | 17,5 | 122 | 1 100          |
| KTA50             | 50              | 280 | 30 | 96 | 52   | 240 | 17,5 | 152 | 1 650          |

Trous de fixation suivant DIN 912 - 8.8 *Mounting bolts according to DIN912-8.8.*

