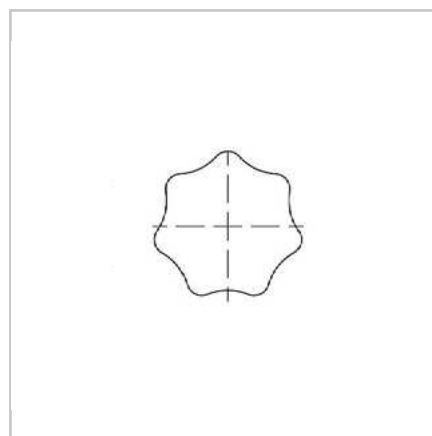
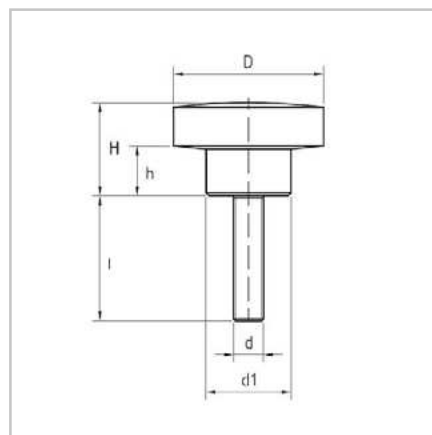


## Volantino 7 Punte con Perno in Ferro, Filettato

### Star Knob, 7 Points, Threaded Stud

| COD.        | D  | d    | l  | H  | h  | d1 | Peso Weight gr | U.V. |
|-------------|----|------|----|----|----|----|----------------|------|
| B1V7M300415 | 30 | 04MA | 15 | 23 | 10 | 17 | 16             | 20   |
| B1V7M300430 | 30 | 04MA | 30 | 23 | 10 | 17 | 17             | 20   |
| B1V7M300512 | 30 | 05MA | 12 | 23 | 10 | 17 | 16             | 20   |
| B1V7M300520 | 30 | 05MA | 20 | 23 | 10 | 17 | 17             | 20   |
| B1V7M300530 | 30 | 05MA | 30 | 23 | 10 | 17 | 19             | 20   |
| B1V7M300612 | 30 | 06MA | 12 | 23 | 10 | 17 | 16             | 20   |
| B1V7M300615 | 30 | 06MA | 15 | 23 | 10 | 17 | 18             | 20   |
| B1V7M300620 | 30 | 06MA | 20 | 23 | 10 | 17 | 21             | 20   |
| B1V7M300625 | 30 | 06MA | 25 | 23 | 10 | 17 | 20             | 20   |
| B1V7M300630 | 30 | 06MA | 30 | 23 | 10 | 17 | 21             | 20   |
| B1V7M300640 | 30 | 06MA | 40 | 23 | 10 | 17 | 23             | 20   |
| B1V7M300650 | 30 | 06MA | 50 | 23 | 10 | 17 | 25             | 20   |
| B1V7M300815 | 30 | 08MA | 15 | 23 | 10 | 17 | 22             | 20   |
| B1V7M300820 | 30 | 08MA | 20 | 23 | 10 | 17 | 23             | 20   |
| B1V7M300825 | 30 | 08MA | 25 | 23 | 10 | 17 | 25             | 20   |
| B1V7M300830 | 30 | 08MA | 30 | 23 | 10 | 17 | 26             | 20   |
| B1V7M300840 | 30 | 08MA | 40 | 23 | 10 | 17 | 29             | 20   |
| B1V7M300850 | 30 | 08MA | 50 | 23 | 10 | 17 | 32             | 20   |
| B1V7M300860 | 30 | 08MA | 60 | 23 | 10 | 17 | 40             | 20   |
| B1V7M400620 | 40 | 06MA | 20 | 27 | 11 | 21 | 33             | 20   |
| B1V7M400630 | 40 | 06MA | 30 | 27 | 11 | 21 | 35             | 20   |
| B1V7M400640 | 40 | 06MA | 40 | 27 | 11 | 21 | 37             | 20   |
| B1V7M400650 | 40 | 06MA | 50 | 27 | 11 | 21 | 39             | 20   |
| B1V7M400815 | 40 | 08MA | 15 | 27 | 11 | 21 | 37             | 20   |
| B1V7M400820 | 40 | 08MA | 20 | 27 | 11 | 21 | 38             | 20   |
| B1V7M400830 | 40 | 08MA | 30 | 27 | 11 | 21 | 41             | 20   |
| B1V7M400840 | 40 | 08MA | 40 | 27 | 11 | 21 | 44             | 20   |
| B1V7M400850 | 40 | 08MA | 50 | 27 | 11 | 21 | 48             | 20   |
| B1V7M400860 | 40 | 08MA | 60 | 27 | 11 | 21 | 52             | 20   |
| B1V7M401020 | 40 | 10MA | 20 | 27 | 11 | 21 | 45             | 20   |
| B1V7M401030 | 40 | 10MA | 30 | 27 | 11 | 21 | 51             | 20   |
| B1V7M401040 | 40 | 10MA | 40 | 27 | 11 | 21 | 55             | 20   |
| B1V7M401050 | 40 | 10MA | 50 | 27 | 11 | 21 | 60             | 20   |
| B1V7M401060 | 40 | 10MA | 60 | 27 | 11 | 21 | 65             | 20   |
| B1V7M500815 | 50 | 08MA | 15 | 35 | 15 | 25 | 63             | 20   |
| B1V7M500820 | 50 | 08MA | 20 | 35 | 15 | 25 | 65             | 20   |
| B1V7M500830 | 50 | 08MA | 30 | 35 | 15 | 25 | 68             | 20   |
| B1V7M500840 | 50 | 08MA | 40 | 35 | 15 | 25 | 71             | 20   |
| B1V7M500850 | 50 | 08MA | 50 | 35 | 15 | 25 | 74             | 20   |
| B1V7M500860 | 50 | 08MA | 60 | 35 | 15 | 25 | 77             | 20   |
| B1V7M501020 | 50 | 10MA | 20 | 35 | 15 | 25 | 72             | 20   |
| B1V7M501030 | 50 | 10MA | 30 | 35 | 15 | 25 | 76             | 20   |
| B1V7M501040 | 50 | 10MA | 40 | 35 | 15 | 25 | 82             | 20   |
| B1V7M501050 | 50 | 10MA | 50 | 35 | 15 | 25 | 86             | 20   |
| B1V7M501060 | 50 | 10MA | 60 | 35 | 15 | 25 | 90             | 20   |
| B1V7M501230 | 50 | 12MA | 30 | 35 | 15 | 25 | 90             | 20   |
| B1V7M501240 | 50 | 12MA | 40 | 35 | 15 | 25 | 94             | 20   |
| B1V7M501250 | 50 | 12MA | 50 | 35 | 15 | 25 | 97             | 20   |
| B1V7M600830 | 60 | 08MA | 30 | 39 | 18 | 28 | 94             | 20   |
| B1V7M600840 | 60 | 08MA | 40 | 39 | 18 | 28 | 96             | 20   |
| B1V7M600850 | 60 | 08MA | 50 | 39 | 18 | 28 | 95             | 20   |
| B1V7M600860 | 60 | 08MA | 60 | 39 | 18 | 28 | 104            | 20   |



Continua da V7M.

| COD.        | D  | d    | I  | H  | h  | d1 | Peso<br>Weight<br>gr | U.V. |
|-------------|----|------|----|----|----|----|----------------------|------|
| B1V7M601020 | 60 | 10MA | 20 | 39 | 18 | 28 | 90                   | 20   |
| B1V7M601030 | 60 | 10MA | 30 | 39 | 18 | 28 | 96                   | 20   |
| B1V7M601040 | 60 | 10MA | 40 | 39 | 18 | 28 | 100                  | 20   |
| B1V7M601050 | 60 | 10MA | 50 | 39 | 18 | 28 | 113                  | 20   |
| B1V7M601060 | 60 | 10MA | 60 | 39 | 18 | 28 | 120                  | 20   |
| B1V7M601230 | 60 | 12MA | 30 | 39 | 18 | 28 | 120                  | 20   |
| B1V7M601240 | 60 | 12MA | 40 | 39 | 18 | 28 | 123                  | 20   |
| B1V7M601250 | 60 | 12MA | 50 | 39 | 18 | 28 | 125                  | 20   |
| B1V7M601430 | 60 | 14MA | 30 | 39 | 18 | 30 | 128                  | 20   |
| B1V7M701030 | 70 | 10MA | 30 | 42 | 18 | 30 | 137                  | 20   |
| B1V7M701050 | 70 | 10MA | 50 | 42 | 18 | 30 | 151                  | 20   |
| B1V7M701230 | 70 | 12MA | 30 | 42 | 18 | 30 | 156                  | 20   |
| B1V7M701240 | 70 | 12MA | 40 | 42 | 18 | 30 | 158                  | 20   |
| B1V7M701250 | 70 | 12MA | 50 | 42 | 18 | 30 | 162                  | 20   |
| B1V7M701430 | 70 | 14MA | 30 | 42 | 18 | 30 | 166                  | 20   |
| B1V7M701440 | 70 | 14MA | 40 | 42 | 18 | 30 | 196                  | 20   |
| B1V7M701450 | 70 | 14MA | 50 | 42 | 18 | 30 | 191                  | 20   |
| B1V7M701650 | 70 | 16MA | 50 | 42 | 18 | 32 | 220                  | 20   |
| B1V7M801030 | 80 | 10MA | 30 | 53 | 28 | 32 | 200                  | 20   |
| B1V7M801250 | 80 | 12MA | 50 | 53 | 28 | 32 | 222                  | 20   |
| B1V7M801430 | 80 | 14MA | 30 | 53 | 28 | 32 | 240                  | 20   |
| B1V7M801650 | 80 | 16MA | 50 | 53 | 28 | 32 | 274                  | 20   |

#### Caratteristiche

##### Materiale Corpo:

Fenoplasto rinforzato di colore nero, resistente a solventi, oli, grassi ed altri agenti chimici (PF)

##### Parte Metallica e/o Fissaggio:

Perno in AVP zincato filettato, estremità smussate

#### Product specification

##### Main Part Material:

Black phenoplast, resistant to solvents, oils, greases and other chemical agents (PF)

##### Metal and/or Fastening part:

Zinc plated steel threaded bolt, rounded edges