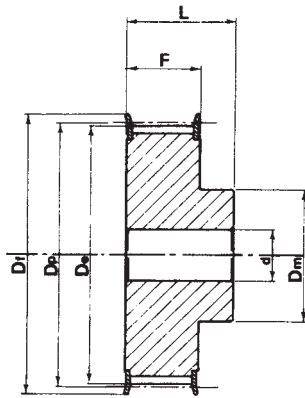
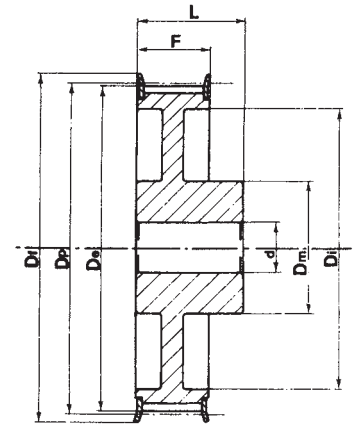


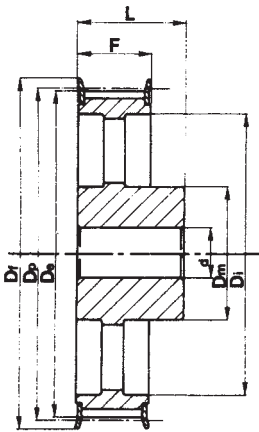
Tipo / Type  
6



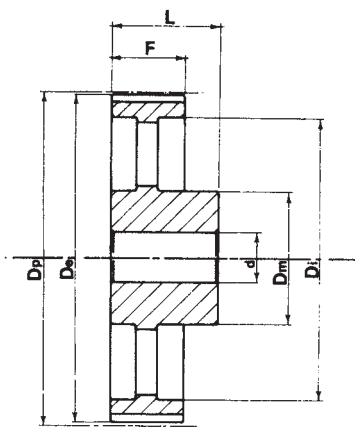
Tipo / Type  
6F



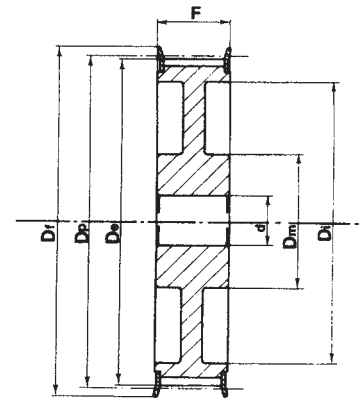
Tipo / Type  
6WF



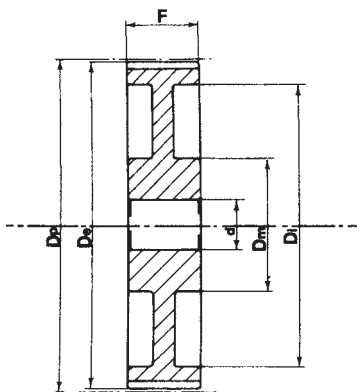
Tipo / Type  
6AF



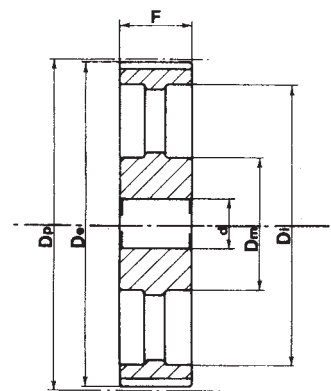
Tipo / Type  
6A



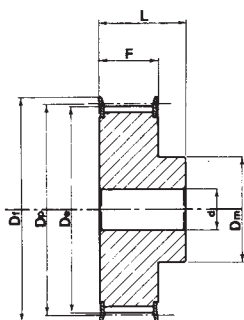
Tipo / Type  
10WF



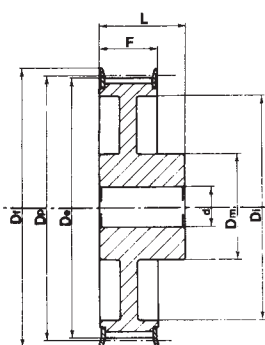
Tipo / Type  
10W



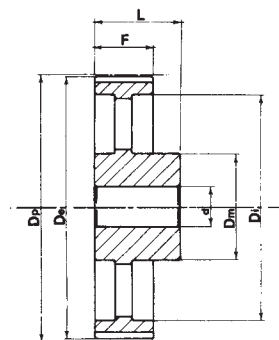
Tipo / Type  
10A



Tipo / Type  
6F



Tipo / Type  
6WF



Tipo / Type  
6A

## HTD® 14M-40

Caratteristiche Features Merkmale Características Características	Codice Code symbol Bezeichnung Code symbole Numero de fabrica	Nostro codice Our code Unser Code Notre code Nuestro codigo	Tipo Type Typ Type Tipo	Codice flangia Flange code Bordscheiben Typ Code flasque Código brida	N. denti N. of teeth Zähnezahl N. bre de dents Cantidad de dientes	Dp	De	Df	Dm	Di	F	L	d	Peso Weight / Gewicht Poids / Peso Kg
Acciaio / Steel / Stahl Acier / Acero	28 14M 40	14M4028	6F	FL153	28	124,78	122,12	128,0	100,0	-	54	69	24	4,73
	29 14M 40	14M4029	6F	FL154	29	129,23	126,57	138,0	100,0	-	54	69	24	5,09
	30 14M 40	14M4030	6F	FL154	30	133,69	130,99	138,0	100,0	-	54	69	24	5,45
	32 14M 40	14M4032	6F	FL160	32	142,60	139,88	154,0	100,0	-	54	69	24	6,17
	34 14M 40	14M4034	6F	FL166	34	151,52	148,79	160,0	100,0	-	54	69	24	6,88
	36 14M 40	14M4036	6F	FL168	36	160,43	157,68	168,0	100,0	-	54	69	24	7,60
	38 14M 40	14M4038	6F	FL172	38	169,34	166,60	183,0	120,0	-	54	69	24	8,28
	40 14M 40	14M4040	6F	FL162	40	178,25	175,49	188,0	120,0	-	54	69	24	9,26
	44 14M 40	14M4044	6F	FL175	44	196,08	193,28	211,0	120,0	-	54	69	24	10,32
Ghisa / Cast iron Grauguss / Fonte Hierro fundido	48 14M 40	14M4048	6WF	FL180	48	213,90	211,11	226,0	135,0	170	54	69	24	11,50
	56 14M 40	14M4056	6WF	FL182	56	249,55	246,76	256,0	135,0	207	54	69	28	13,05
	64 14M 40	14M4064	6WF	FL184	64	285,21	282,41	296,0	135,0	240	54	69	28	14,40
	72 14M 40	14M4072	6A	-	72	320,86	318,06	-	135,0	280	54	69	28	16,90
	80 14M 40	14M4080	6A	-	80	356,51	353,71	-	135,0	314	54	69	28	18,50
	90 14M 40	14M4090	6A	-	90	401,07	398,28	-	135,0	358	54	69	28	20,00
	112 14M 40	14M4011	6A	-	112	499,11	496,32	-	135,0	456	54	69	28	26,70
	144 14M 40	14M4014	6A	-	144	641,71	638,92	-	135,0	600	54	69	28	35,00
	168 14M 40	14M4016	6A	-	168	748,66	745,87	-	135,0	706	54	69	28	44,20
	192 14M 40	14M4019	6A	-	192	855,62	852,82	-	135,0	813	54	69	28	52,20
216 14M 40	14M4021	6A	-	216	962,57	959,76	-	150,0	920	54	69	28	62,50	

### HTD® 14M-55

Caratteristiche Features Merkmal Características	Codice Code symbol Bezeichnung Code symbole Numero de fabrica	Nostro codice Our code Unser Code Notre code Nuestro codigo	Tipo Type Typ Type Tipo	Codice flangia Flange code Bordscheiben Typ Code flasque Código brida	N. denti N. of teeth Zähnezahl N. bre de dents Cantidad de dientes	Dp	De	Df	Dm	Di	F	L	d	Peso Weight / Gewicht Poids / Peso Kg	
Acciaio / Steel / Stahl Acier / Acero	con flangia / with flanges mit Flanges / avec flasques con tapetas	<b>28 14M 55</b>	<b>14M5528</b>	6F	FL153	28	124,78	122,12	128,0	100,0	-	70	85	24	5,60
		<b>29 14M 55</b>	<b>14M5529</b>	6F	FL154	29	129,23	126,57	138,0	100,0	-	70	85	24	6,10
		<b>30 14M 55</b>	<b>14M5530</b>	6F	FL154	30	133,69	130,99	138,0	100,0	-	70	85	24	6,60
		<b>32 14M 55</b>	<b>14M5532</b>	6F	FL160	32	142,60	139,88	154,0	100,0	-	70	85	24	7,60
		<b>34 14M 55</b>	<b>14M5534</b>	6F	FL166	34	151,52	148,79	160,0	100,0	-	70	85	24	8,60
		<b>36 14M 55</b>	<b>14M5536</b>	6F	FL168	36	160,43	157,68	168,0	100,0	-	70	85	24	9,60
		<b>38 14M 55</b>	<b>14M5538</b>	6F	FL172	38	169,34	166,60	183,0	120,0	-	70	85	24	10,80
		<b>40 14M 55</b>	<b>14M5540</b>	6F	FL162	40	178,25	175,49	188,0	120,0	-	70	85	24	11,20
		<b>44 14M 55</b>	<b>14M5544</b>	6F	FL175	44	196,08	193,28	211,0	120,0	-	70	85	24	12,50
Ghisa / Cast iron Grauguss / Fonte Hierro fundido	senza flangia / without flanges / ohne Flanschen sans flasques / sin tapetas	<b>48 14M 55</b>	<b>14M5548</b>	10WF	FL180	48	213,90	211,11	226,0	135,0	170	70	70	24	13,70
		<b>56 14M 55</b>	<b>14M5556</b>	10WF	FL182	56	249,55	246,76	256,0	135,0	207	70	70	28	14,50
		<b>64 14M 55</b>	<b>14M5564</b>	10WF	FL184	64	285,21	282,41	296,0	135,0	240	70	70	28	15,60
		<b>72 14M 55</b>	<b>14M5572</b>	10A	-	72	320,86	318,06	-	135,0	280	70	70	28	16,90
		<b>80 14M 55</b>	<b>14M5580</b>	10A	-	80	356,51	353,71	-	135,0	314	70	70	28	20,00
		<b>90 14M 55</b>	<b>14M5590</b>	10A	-	90	401,07	398,28	-	135,0	358	70	70	28	22,60
		<b>112 14M 55</b>	<b>14M5511</b>	10A	-	112	499,11	496,32	-	135,0	456	70	70	28	29,50
		<b>144 14M 55</b>	<b>14M5514</b>	10A	-	144	641,71	638,92	-	135,0	600	70	70	28	39,00
		<b>168 14M 55</b>	<b>14M5516</b>	10A	-	168	748,66	745,87	-	135,0	706	70	70	28	48,50
		<b>192 14M 55</b>	<b>14M5519</b>	10A	-	192	855,62	852,82	-	135,0	813	70	70	28	57,80
<b>216 14M 55</b>	<b>14M5521</b>	10A	-	216	962,57	959,76	-	150,0	920	70	70	28	67,00		

### HTD® 14M-85

Caratteristiche Features Merkmal Características	Codice Code symbol Bezeichnung Code symbole Numero de fabrica	Nostro codice Our code Unser Code Notre code Nuestro codigo	Tipo Type Typ Type Tipo	Codice flangia Flange code Bordscheiben Typ Code flasque Código brida	N. denti N. of teeth Zähnezahl N. bre de dents Cantidad de dientes	Dp	De	Df	Dm	Di	F	L	d	Peso Weight / Gewicht Poids / Peso Kg	
Acciaio / Steel / Stahl Acier / Acero	con flangia / with flanges mit Flanges / avec flasques con tapetas	<b>28 14M 85</b>	<b>14M8528</b>	6F	FL153	28	124,78	122,12	128,0	100,0	-	102	117	24	7,70
		<b>29 14M 85</b>	<b>14M8529</b>	6F	FL154	29	129,23	126,57	138,0	100,0	-	102	117	24	8,40
		<b>30 14M 85</b>	<b>14M8530</b>	6F	FL154	30	133,69	130,99	138,0	100,0	-	102	117	24	9,10
		<b>32 14M 85</b>	<b>14M8532</b>	6F	FL160	32	142,60	139,88	154,0	100,0	-	102	117	24	10,50
		<b>34 14M 85</b>	<b>14M8534</b>	6F	FL166	34	151,52	148,79	160,0	100,0	-	102	117	24	11,90
		<b>36 14M 85</b>	<b>14M8536</b>	6F	FL168	36	160,43	157,68	168,0	100,0	-	102	117	32	13,20
		<b>38 14M 85</b>	<b>14M8538</b>	6F	FL172	38	169,34	166,60	183,0	120,0	-	102	117	32	15,15
		<b>40 14M 85</b>	<b>14M8540</b>	6F	FL162	40	178,25	175,49	188,0	135,0	-	102	117	32	17,10
		<b>44 14M 85</b>	<b>14M8544</b>	6F	FL175	44	196,08	193,28	211,0	135,0	-	102	117	32	23,30
<b>48 14M 85</b>	<b>14M8548</b>	6F	FL180	48	213,90	211,11	226,0	150,0	-	102	117	32	25,00		
Ghisa / Cast iron Grauguss / Fonte Hierro fundido	senza flangia / without flanges / ohne Flanschen sans flasques / sin tapetas	<b>56 14M 85</b>	<b>14M8556</b>	10WF	FL182	56	249,55	246,76	256,0	150,0	207	102	102	32	25,00
		<b>64 14M 85</b>	<b>14M8564</b>	10WF	FL184	64	285,21	282,41	296,0	150,0	240	102	102	32	30,50
		<b>72 14M 85</b>	<b>14M8572</b>	10A	-	72	320,86	318,06	-	150,0	278	102	102	32	28,80
		<b>80 14M 85</b>	<b>14M8580</b>	10A	-	80	356,51	353,71	-	150,0	314	102	102	32	30,10
		<b>90 14M 85</b>	<b>14M8590</b>	10A	-	90	401,07	398,28	-	150,0	358	102	102	32	33,00
		<b>112 14M 85</b>	<b>14M8511</b>	10A	-	112	499,11	496,32	-	150,0	456	102	102	32	41,80
		<b>144 14M 85</b>	<b>14M8514</b>	10A	-	144	641,71	638,92	-	150,0	600	102	102	32	52,40
		<b>168 14M 85</b>	<b>14M8516</b>	10A	-	168	748,66	745,87	-	150,0	706	102	102	32	60,30
		<b>192 14M 85</b>	<b>14M8519</b>	10A	-	192	855,62	852,82	-	165,0	813	102	102	32	70,20
		<b>216 14M 85</b>	<b>14M8521</b>	10A	-	216	962,57	959,76	-	160,0	920	102	102	32	81,00

**Pulegge dentate per cinghie HTD® / Timing belt pulleys HTD®**  
**HTD® Zahnriemenscheiben / Poulies dentées HTD®**  
**Poleas para correas dentadas HTD®**



**HTD® 14M-115**

Caratteristiche Features Merkmal Características	Codice Code symbol Bezeichnung Code symbole Numero de fabrica	Nostro codice Our code Unser Code Notre code Nuestro codigo	Tipo Type Typ Type Tipo	Codice flangia Flange code Bordscheiben Typ Code flasque Código brida	N. denti N. of teeth Zähnezahl N. bre de dents Cantidad de dientes	Dp	De	Df	Dm	Di	F	L	d	Peso Weight / Gewicht Poids / Peso Kg	
Acciaio / Steel / Stahl Acier / Acero	con flangia / with flanges mit Flanges / avec flasques con tapetas	<b>28 14M 115</b>	<b>14M1128</b>	6F	FL153	28	124,78	122,12	128,0	100,0	-	133	148	32	9,20
		<b>29 14M 115</b>	<b>14M1129</b>	6F	FL154	29	129,23	126,57	138,0	100,0	-	133	148	32	10,20
		<b>30 14M 115</b>	<b>14M1130</b>	6F	FL154	30	133,69	130,99	138,0	100,0	-	133	148	32	11,20
		<b>32 14M 115</b>	<b>14M1132</b>	6F	FL160	32	142,60	139,88	154,0	100,0	-	133	148	32	13,20
		<b>34 14M 115</b>	<b>14M1134</b>	6F	FL166	34	151,52	148,79	160,0	100,0	-	133	148	32	14,80
		<b>36 14M 115</b>	<b>14M1136</b>	6F	FL168	36	160,43	157,68	168,0	100,0	-	133	148	32	16,60
		<b>38 14M 115</b>	<b>14M1138</b>	6F	FL172	38	169,34	166,60	183,0	120,0	-	133	148	32	19,20
		<b>40 14M 115</b>	<b>14M1140</b>	6F	FL162	40	178,25	175,49	188,0	135,0	-	133	148	32	20,56
		<b>44 14M 115</b>	<b>14M1144</b>	6F	FL175	44	196,08	193,28	211,0	140,0	-	133	148	32	21,93
		<b>48 14M 115</b>	<b>14M1148</b>	6F	FL180	48	213,90	211,11	226,0	150,0	-	133	148	32	25,00
		<b>56 14M 115</b>	<b>14M1156</b>	6F	FL182	56	249,55	246,76	256,0	150,0	-	133	148	32	27,50
Ghisa / Cast iron Grauguss / Fonte Hierro fundido	senza flangia / without flanges / ohne Flanschen sans flasques / sin tapetas	<b>64 14M 115</b>	<b>14M1164</b>	10WF	FL184	64	285,21	282,41	296,0	150,0	240	133	133	32	30,10
		<b>72 14M 115</b>	<b>14M1172</b>	10A	-	72	320,86	318,06	-	150,0	278	133	133	32	32,83
		<b>80 14M 115</b>	<b>14M1180</b>	10A	-	80	356,51	353,71	-	150,0	314	133	133	32	35,55
		<b>90 14M 115</b>	<b>14M1190</b>	10A	-	90	401,07	398,28	-	150,0	358	133	133	32	41,00
		<b>112 14M 115</b>	<b>14M1111</b>	10A	-	112	499,11	496,32	-	150,0	456	133	133	32	54,40
		<b>144 14M 115</b>	<b>14M1114</b>	10A	-	144	641,71	638,92	-	165,0	600	133	133	32	67,80
		<b>168 14M 115</b>	<b>14M1116</b>	10A	-	168	748,66	745,87	-	165,0	706	133	133	32	75,80
		<b>192 14M 115</b>	<b>14M1119</b>	10A	-	192	855,62	852,82	-	165,0	813	133	133	32	88,30
		<b>216 14M 115</b>	<b>14M1121</b>	10A	-	216	962,57	959,76	-	165,0	920	133	133	32	98,00

**HTD® 14M-170**

Caratteristiche Features Merkmal Características	Codice Code symbol Bezeichnung Code symbole Numero de fabrica	Nostro codice Our code Unser Code Notre code Nuestro codigo	Tipo Type Typ Type Tipo	Codice flangia Flange code Bordscheiben Typ Code flasque Código brida	N. denti N. of teeth Zähnezahl N. bre de dents Cantidad de dientes	Dp	De	Df	Dm	Di	F	L	d	Peso Weight / Gewicht Poids / Peso Kg	
Acciaio / Steel / Stahl Acier / Acero	con flangia / with flanges mit Flanges / avec flasques con tapetas	<b>28 14M 170</b>	<b>14M1728</b>	6F	FL153	28	124,78	122,12	128,0	100,0	-	187	202	32	9,20
		<b>29 14M 170</b>	<b>14M1729</b>	6F	FL154	29	129,23	126,57	138,0	100,0	-	187	202	32	10,20
		<b>30 14M 170</b>	<b>14M1730</b>	6F	FL154	30	133,69	130,99	138,0	100,0	-	187	202	32	11,20
		<b>32 14M 170</b>	<b>14M1732</b>	6F	FL160	32	142,60	139,88	154,0	100,0	-	187	202	32	13,20
		<b>34 14M 170</b>	<b>14M1734</b>	6F	FL166	34	151,52	148,79	160,0	100,0	-	187	202	32	14,80
		<b>36 14M 170</b>	<b>14M1736</b>	6F	FL168	36	160,43	157,68	168,0	100,0	-	187	202	32	16,60
		<b>38 14M 170</b>	<b>14M1738</b>	6F	FL172	38	169,34	166,60	183,0	120,0	-	187	202	32	19,20
		<b>40 14M 170</b>	<b>14M1740</b>	6F	FL162	40	178,25	175,49	188,0	135,0	-	187	202	32	20,56
		<b>44 14M 170</b>	<b>14M1744</b>	6F	FL175	44	196,08	193,28	211,0	140,0	-	187	202	32	21,93
		<b>48 14M 170</b>	<b>14M1748</b>	6F	FL180	48	213,90	211,11	226,0	150,0	-	187	202	32	25,00
		<b>56 14M 170</b>	<b>14M1756</b>	6F	FL182	56	249,55	246,76	256,0	150,0	-	187	202	32	27,50
Ghisa / Cast iron Grauguss / Fonte Hierro fundido	senza flangia / without flanges / ohne Flanschen sans flasques / sin tapetas	<b>64 14M 170</b>	<b>14M1764</b>	10WF	FL184	64	285,21	282,41	296,0	150,0	240	187	187	32	30,10
		<b>72 14M 170</b>	<b>14M1772</b>	10A	-	72	320,86	318,06	-	150,0	278	187	187	32	32,83
		<b>80 14M 170</b>	<b>14M1780</b>	10A	-	80	356,51	353,71	-	150,0	314	187	187	32	35,55
		<b>90 14M 170</b>	<b>14M1790</b>	10A	-	90	401,07	398,28	-	150,0	358	187	187	32	41,00
		<b>112 14M 170</b>	<b>14M1711</b>	10A	-	112	499,11	496,32	-	150,0	456	187	187	32	54,40
		<b>144 14M 170</b>	<b>14M1714</b>	10A	-	144	641,71	638,92	-	165,0	600	187	187	32	67,80
		<b>168 14M 170</b>	<b>14M1716</b>	10A	-	168	748,66	745,87	-	165,0	706	187	187	32	75,80
		<b>192 14M 170</b>	<b>14M1719</b>	10A	-	192	855,62	852,82	-	165,0	813	187	187	32	88,30
		<b>216 14M 170</b>	<b>14M1721</b>	10A	-	216	962,57	959,76	-	165,0	920	187	187	32	98,00