

LATCH E SERIES



ET-EG ROD SERIES (LIGHT PERFORMANCE)

Material:

Galvanized steel or **AISI 304 stainless Steel**

Swivel Pivot:

Galvanized steel or **AISI 303 stainless Steel**

Riveted Pivots and rod:

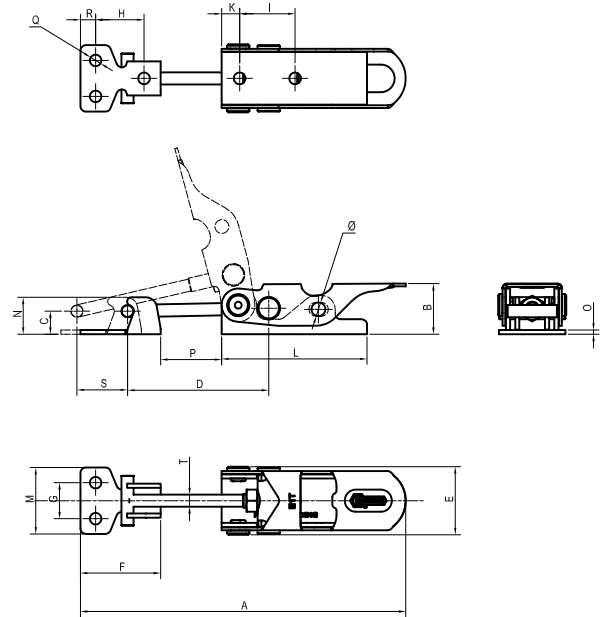
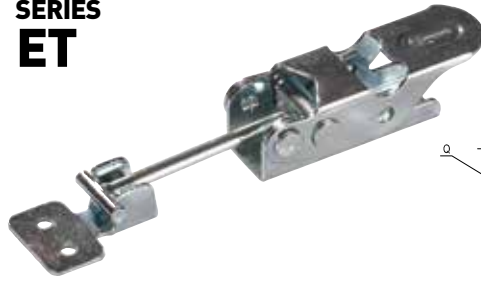
Galvanized steel or **AISI 304 stainless Steel**

Performance:

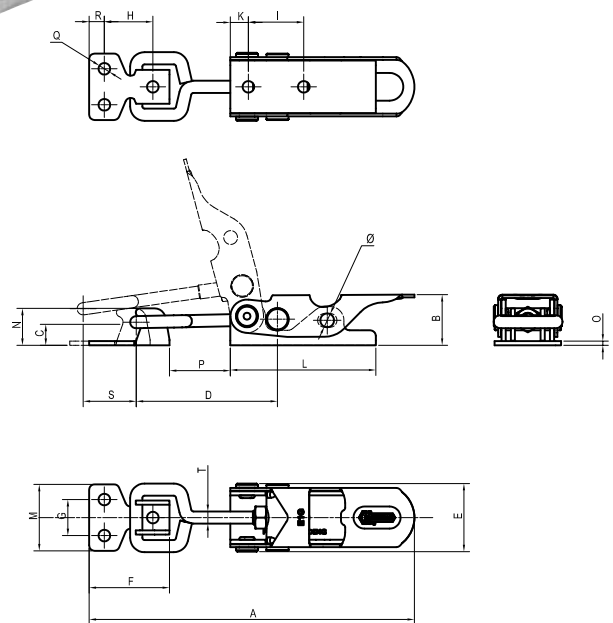
Form ET is supplied with a T-shaped rod and a hooking bracket.

Form EG is supplied with an eye-bolt rod and a hooking bracket.

SERIES ET



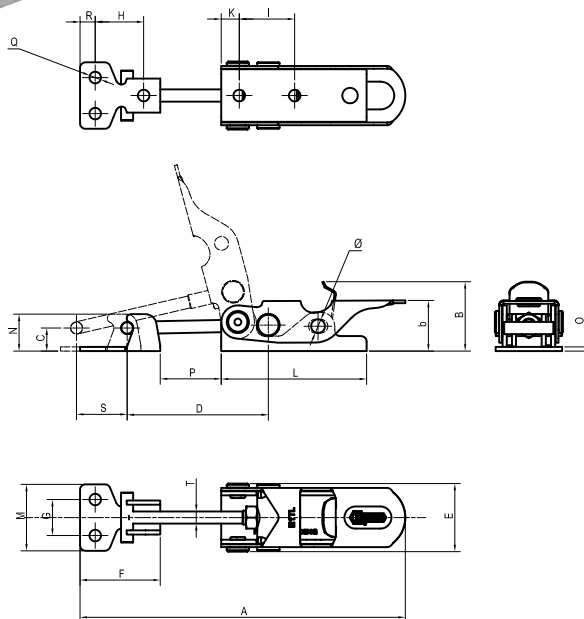
SERIES EG



Code	Description	Stainless steel Code	Description	A	B	C	D	E	F	G	H	I	K	L	M	N	O	P	Q	R	S	T	Diam.	Fh (daN)	gr.
AE1020	E1T	ES1020	E1TX	117,5	18	8,3	51÷58	25	29	13	17,5	20	6,5	52,5	24	13,3	1,5	22÷29	4,2	5,5	11	M5	5	100	61
AE2020	E2T	ES2020	E2TX	155,5	25	10	64÷75	31	42	15	24	24,5	8	65	32	16,4	2	28÷39	5,2	10	13	M6	6	200	135
AE3020	E3T	ES3020	E3TX	189,5	32	12,7	79,5÷92	36	52	20	29,5	30	11	81,5	38	20,7	2,5	33÷45,5	6,5	12,5	16	M8	8	300	256

Code	Description	Stainless steel Code	Description	A	B	C	D	E	F	G	H	I	K	L	M	N	O	P	Q	R	S	T	Diam.	Fh (daN)	gr.
AE1010	E1G	ES1010	E1GX	117,5	18	8,3	51÷58	25	29	13	17,5	20	6,5	52,5	24	13,3	1,5	22÷29	4,2	5,5	12	M5	5	100	63
AE2010	E2G	ES2010	E2GX	155,5	25	10	64÷75	31	42	15	24	24,5	8	65	32	16,4	2	28÷39	5,2	10	14	M6	6	200	142
AE3010	E3G	ES3010	E3GX	189,5	32	12,7	79,5÷92	36	52	20	29,5	30	11	81,5	38	20,7	2,5	33÷45,5	6,5	12,5	18	M8	8	300	270

SERIES ETL



ETL-EGL ROD SERIES (LIGHT PERFORMANCE)

The sizes of this series are also produced in stainless steel and are shown below in red.

The main feature of this series is the special safety lever with the purpose of preventing any accidental openings caused by vibrations.

Material:

Galvanized steel or **AISI 304 stainless Steel**

Swivel Pivot:

Galvanized steel or **AISI 303 stainless Steel**

Riveted Pivots and rod:

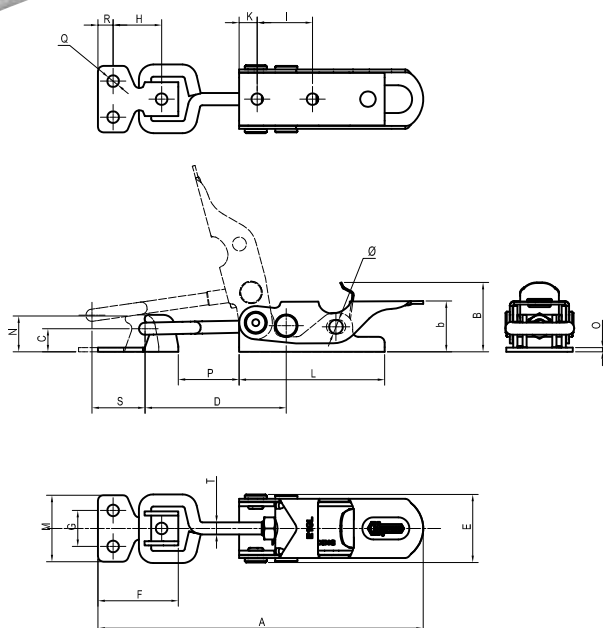
Galvanized steel or **AISI 304 stainless Steel**

Performance:

Form ETL is supplied with a T-shaped rod and a hooking bracket.

Form EGL is supplied with an eye-bolt rod and a hooking bracket

SERIES EGL

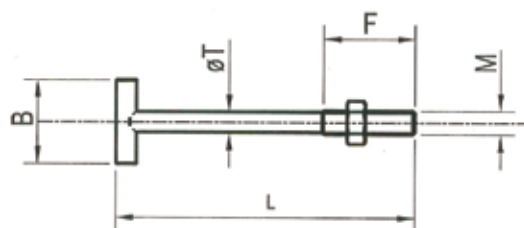


Code	Description	Stainless steel Code	Description	A	b	B	C	D	E	F	G	H	I	K	L	M	N	O	P	Q	R	S	T	Diam.	Fh (daN)	gr.
AE1120	E1TL	ES1120	E1TLX	117,5	18	25	8,3	51÷58	25	29	13	17,5	20	6,5	52,5	24	13,3	1,5	22÷29	4,2	5,5	11	M5	5	100	62
AE2120	E2TL	ES2120	E2TLX	155,5	25	33	10	64÷75	31	42	15	24	24,5	8	65	32	16,4	2	28÷39	5,2	10	13	M6	6	200	136
AE3120	E3TL	ES3120	E3TLX	189,5	32	41,5	12,7	79,5÷92	36	52	20	29,5	30	11	81,5	38	20,7	2,5	33÷45,5	6,5	12,5	16	M8	8	300	258

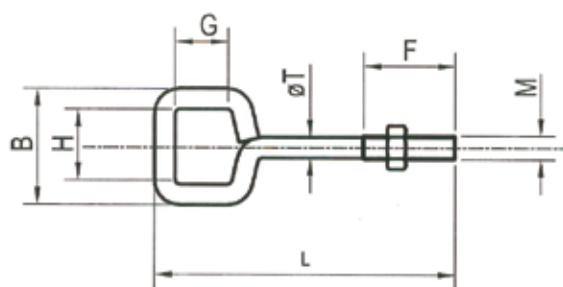
Code	Description	Stainless steel Code	Description	A	b	B	C	D	E	F	G	H	I	K	L	M	N	O	P	Q	R	S	T	Diam.	Fh (daN)	gr.
AE1110	E1GL	ES1110	E1GLX	117,5	18	25	8,3	51-58	25	29	13	17,5	20	6,5	52,5	24	13,3	1,5	22-29	4,2	5,5	12	M5	5	100	65
AE2110	E2GL	ES2110	E2GLX	155,5	25	33	10	64-75	31	42	15	24	24,5	8	65	32	16,4	2	28-39	5,2	10	14	M6	6	200	143
AE3110	E3GL	ES3110	E3GLX	189,5	32	41,5	12,7	79,5-92	36	52	20	29,5	30	11	81,5	38	20,7	2,5	33-45,5	6,5	12,5	18	M8	8	300	273



ET T-shaped rod



EG Eye bolt rod



Code	Description	Stainless steel Code	Description	B	F	G	H	L	M	T
AX642	E1T-E1TL	AX648	E1TX-E1TLX	18	20			64	M5	4,4
AX644	E2T-E2TL	AX650	E2TX-E2TLX	24	25			84	M6	5,2
AX646	E3T-E3TL	AX652	E3TX-E3TLX	30	30			102	M8	7

Code	Description	Stainless steel Code	Description	B	F	G	H	L	M	T
AX630	E1G-E1GL	AX636	E1GX-E1GLX	25	20	12	16	64	M5	4,4
AX632	E2G-E2GL	AX638	E2GX-E2GLX	31	25	15	20,4	83	M6	5,2
AX634	E3G-E3GL	AX640	E3GX-E3GLX	42	30	18,4	28	102	M8	7