

GS2000 — Magnetic grating

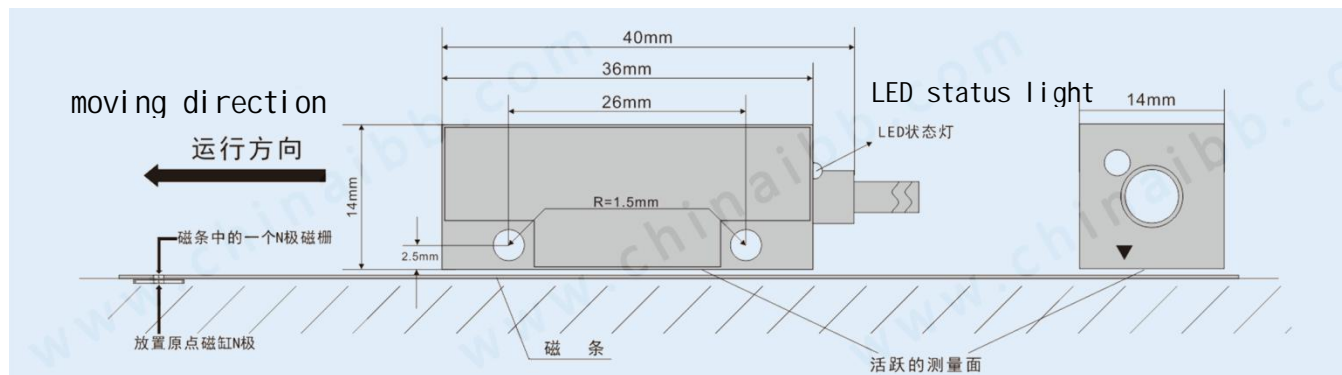
Pulse signal output, incremental, digital interface, resolution 1 μ m

Products Features

- Customizable external origin
- The maximum resolution is 1 μ m
- Non-contact measurement, zero wear, can realize fast positioning measurement
- Output frequency, resolution, wire length, interface type - intelligent LED status light display, detection of installation spacing, fault judgment can be customized according to demand.
- High oil, water, corrosion resistance, can be used in harsh environment
- Hard metal shell, signal double anti - interference processing



外形尺寸



Electrical /system data

NO.	Technical data	Note
Working voltage	5V DC \pm 5%	With reverse polarity protection
Current drain	\leq 70mA (without load)	
Output signal	A, /A; B, /B; Z, /Z	
Output phase differer	The phase difference between A and B: $T/4 \pm T/8$	The period of phase A is T
Control the output	Voltage output, load current: below 10mA, residual voltage: below 0.4V	
	Long line drive, load current: below 20mA	LOW: residual voltage below 0.4V; HIGH: Residual voltage above 2.5V
Response Time	\leq 1 μ s	Cable length: 1m, absorption current: less than 20mA
Connection Type	Open end, DB9, DB15, 7-pin aviation plug	
Resolution	1 μ m, 2 μ m	The default is 1 μ m
System accuracy	\pm 20 μ m	
Repeatability	\pm 2 μ m	
Tempo	It depends on resolution and pulse interval	

Mechanical /environmental conditions

NO.	Technical data	Note
Shell mechanism	Silver cast cast zinc alloy	
Cable shield	Polyurethane, suitable for drag chains	Radius of curvature: 10 x cable diameter
Weight	0.15kg	
Sensor reading distar	Max. 0.5mm	Recommend 0.3mm
Insulation resistance	20M	
Environment temperatu	-10 $^{\circ}$ C ... 70 $^{\circ}$ C (No condensation)	Storage: -25 $^{\circ}$ C... 85 $^{\circ}$ C (no icing)
Withstand Voltage	500V AC	50/60Hz, time 1 minute, between terminal and housing
IP Grade	IP67 (IEC specification)	
Vibration resistance	50 m/s 2 , 10 ... 200Hz	Two hours in X, Y, and Z directions