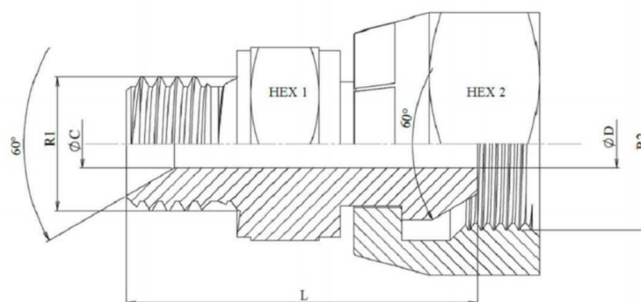
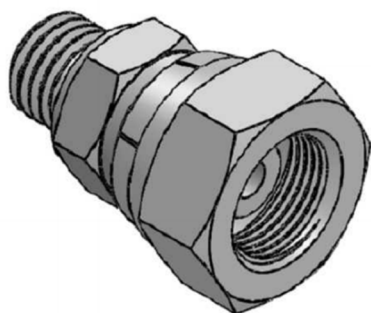


## Egyenes KB váltó BSPP-BSPP

### Reducer BSP male-BSP swivel female (60°)



R1	R2	HEX 1	HEX 2	ØC	ØD	L
M 1/8" BSP	H 1/4" BSP	14	19	3,5	3,5	25,5
M 1/4" BSP	H 1/8" BSP	19	14	6	2	28
M 1/4" BSP	H 3/8" BSP	19	22	6	6	32,5
M 3/8" BSP	H 1/4" BSP	22	19	8	4	32,5
M 1/2" BSP	H 3/8" BSP	27	22	11	7	36,5
M 3/4" BSP	H 1/2" BSP	32	27	16,7	11,1	40
M 1" BSP	H 3/4" BSP	41	32	22	15	48,5
M 3/8" BSP	H 1/2" BSP	22	27	8	8	36
M 1/2" BSP	H 3/4" BSP	27	32	11	15	41,5
M 3/4" BSP	H 1" BSP	32	41	16,7	22,2	46,5
M 3/4" BSP	H 1"1/4 BSP	50	50	16,7	28,6	50
M 1" BSP	H 1"1/4 BSP	41	50	22	26	52,5
M 1"1/4 BSP	H 1"1/2 BSP	50	55	28,5	32	57
M 1" 1/2 BSP	H 2" BSP	60	70	33	44	60