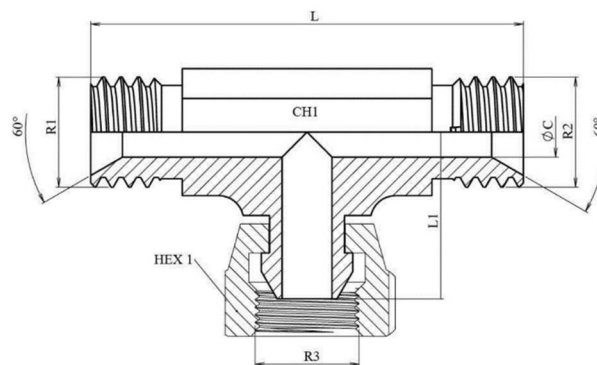


## T-idom KBK BSPP-BSPP-BSPP

### Brunch tee BSP Male-swivel female-male (60°) forge



R1	R2	R3	L	L1	HEX 1	CH1	ØC
1/8" BSP	1/8" BSP	1/8" BSP	45	22,5	14	11	3,5
1/4" BSP	1/4" BSP	1/4" BSP	52	20	19	14	6
3/8" BSP	3/8" BSP	3/8" BSP	60	30	22	17	8
1/2" BSP	1/2" BSP	1/2" BSP	70	35	27	22	11
3/4" BSP	3/4" BSP	3/4" BSP	84	44	32	27	16
1" BSP	1" BSP	1" BSP	94	49	41	36	22
1"1/4 BSP	1"1/4 BSP	1"1/4 BSP	104	54	50	46	26
1" 1/2 BSP	1" 1/2 BSP	1" 1/2 BSP	120	58	55	50	32
2" BSP	2" BSP	2" BSP	149.5	60	70	64	46