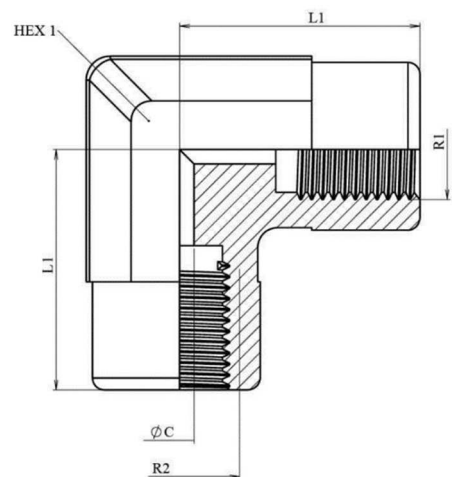


L-idom BB FIX BSPP-BSP

90° Elbow BSP fixed female-BSP fixed female forge



R1	R2	L1	HEX 1	ØC
1/8" BSP	1/8" BSP	20	14	6
1/4" BSP	1/4" BSP	26	17	8
3/8" BSP	3/8" BSP	30	19	12
1/2" BSP	1/2" BSP	35	24	17,5
3/4" BSP	3/4" BSP	42	27	16
1" BSP	1" BSP	47	36	25
1"1/4 BSP	1"1/4 BSP	50	48	29