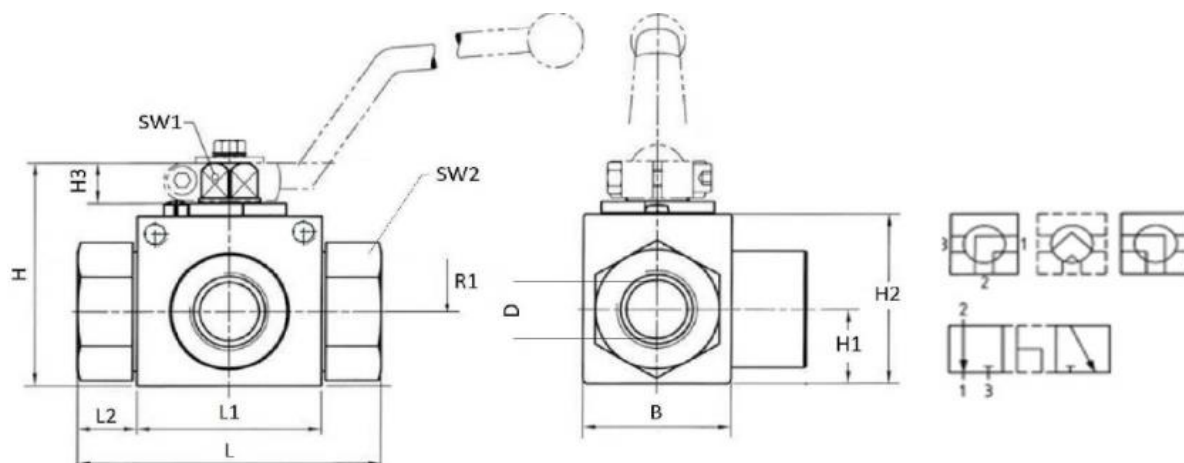


Hidraulikus golyóscsap 3 utas BBB BSPP L típus

Hydraulic ball valve 3 ways FM-FM-FM BSPP L type



| | L | L1 | B | H | h1 | h2 | h3 | SW |
|------|-----|----|----|------|------|----|----|----|
| G1/4 | 69 | 37 | 28 | 44.5 | 13 | 32 | 8 | 9 |
| G3/8 | 72 | 42 | 32 | 52.5 | 17 | 40 | 8 | 9 |
| G1/2 | 83 | 46 | 35 | 52.5 | 17 | 40 | 8 | 9 |
| G3/4 | 95 | 60 | 48 | 75 | 24 | 57 | 12 | 14 |
| G1 | 113 | 65 | 57 | 82 | 28.5 | 64 | 12 | 14 |

| DN | R1 | Working Pressure (bar) | WAYS |
|----|----------|------------------------|-------|
| 6 | 1/4" BSP | 500 | H-H-H |
| 10 | 3/8" BSP | 500 | H-H-H |
| 13 | 1/2" BSP | 500 | H-H-H |
| 20 | 3/4" BSP | 500 | H-H-H |
| 25 | 1" BSP | 500 | H-H-H |