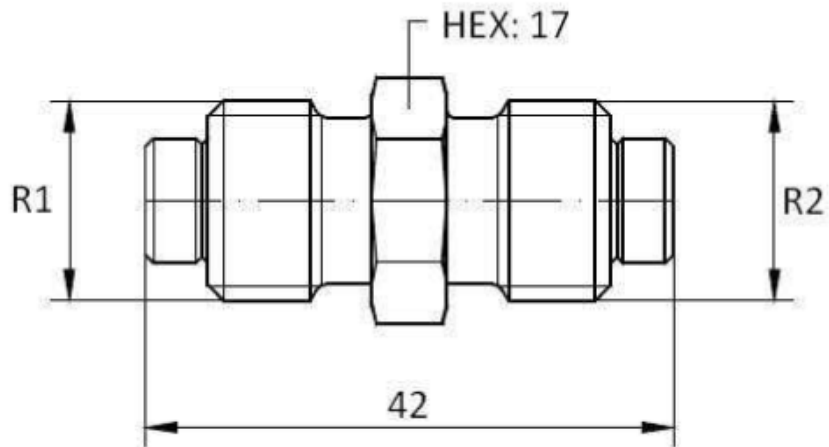


Hidraulikus mérőpont adapter

Hydraulic male-male check coupling



R1	R2	Working Pressure (bar)
M16X2	M16X1.5	620
M16X1.5	M16X1.5	620
M16X2	M16X2	620