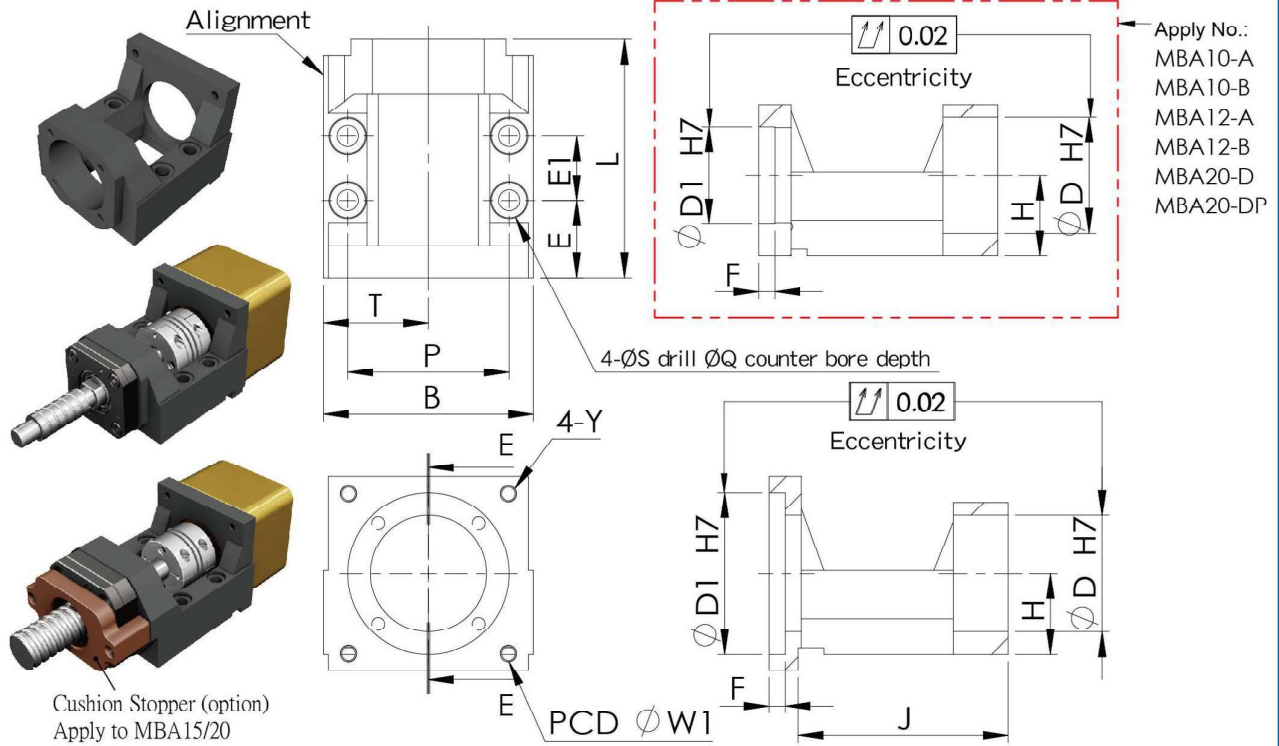


Motor Bracket MBA (Narrow Type)



Unit : mm

Model No.	Dimensions of Motor Bracket															Support unit		Suggest Coupling	
	D1	W1	Y	D	L	H ±0.02	B	P	T	S	Q	E	E1	F	J	Weight (Kgs)	Fixed-side		Supported-side
MBA6/8-A	30	45	M3	28	61	17	52	41	26	5.5	9.5	19	20	5	54	0.29	FKA06 FKA08	EF08	SGS 27C
MBA6/8-B		46	M4																
MBA10-A	30	45	M3	34	74	22	65	50	32.5	6.6	11	24	20	5	flat	0.62	FK10	BF10	SGL 27C
MBA10-B		46	M4																
MBA10-C	38.1	66.7	M4	50	70	M5	65	50	32.5	6.6	11	24	20	5	65	0.66	FK10	BF10	SGL 34C
MBA10-D	50	70	M5																
MBA10-DP			M4																
MBA12-A	30	45	M3	36	74	25	65	50	32.5	6.6	11	24	20	5	flat	0.67	FK12	BF12	SGL 27C
MBA12-B		46	M4																
MBA12-BF	36	70.7	M4	38.1	66.7	M5	65	50	32.5	6.6	11	24	20	Thru hole	65	-	FK12	BF12	SGL 34C
MBA12-C	50	70	M5																
MBA12-D			M4																
MBA12-DP	50	70	M4	40	84	28	70	55	35	6.6	11	25	28	5	74	0.85	FK15	BF15	SGL 34C
MBA15-C	50	70	M5																
MBA15-D			M4																
MBA15-DP	73	98.4	M6	94	88	70	44	8.5	14	30	29	6	82	1.3	1.37	FK15	BF15	SGS 40C SGS 45C SGL 40C SGL 45C	
MBA15-F	70	90	M6																
MBA15-E			M5																
MBA15-EP	70	90	M5	92	88	70	44	8.5	14	30	29	6	81	1.31	FK15	BF15	SGS 40C SGS 45C SGL 40C SGL 45C		
MBA15-EP	M5																		
MBA20-D	50	70	M5	57	113	34	88	70	44	8.5	14	29	42	5	flat	1.56	FKA20	BF20	SGL 45C
MBA20-DP			M4																
MBA20-F	73	98.4	M6	70	90	M5	88	70	44	8.5	14	29	42	6	102	1.59	FKA20	BF20	SGS 45C
MBA20-E	70	90	M5																
MBA20-EP			M5																
MBA20-X	80	100	M6																SGS 45C SGS 50C

Note : 1.Can choose B angle bearings when use support unit with FKA20