

## TRASCO® ES: “0” backlash coupling

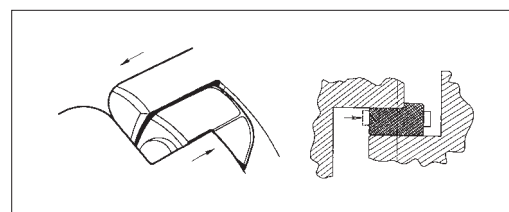
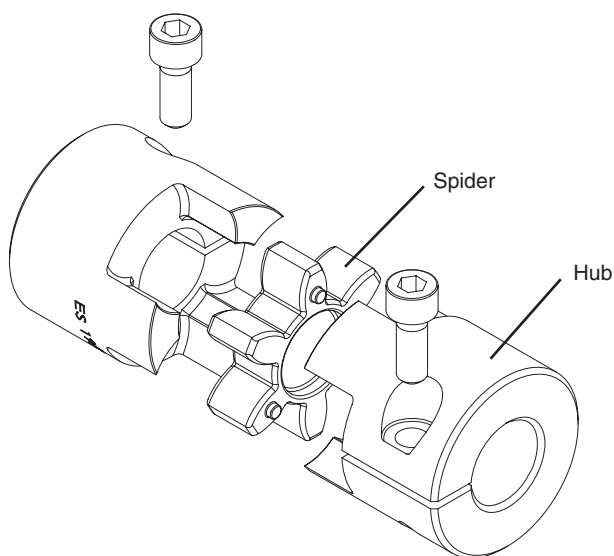
TRASCO® ES is our zero backlash coupling designed to compensate for misalignment and vibration dampening for

indexing applications. The compact design of TRASCO® ES makes it the right choice for all precise motion applications.

### Description

The TRASCO® ES consists of two hubs, which are either made of high-strength aluminum (up to the 38/45 size) or steel (from size 42) that are connected with an elastic element. The precise dimensional characteristics of TRASCO® ES are obtained through our accurate machining process. The special compound polyurethane elastic element, developed through extensive research and laboratory testing, is made through a press-forming process which guarantees high dimensional accuracy.

The element is available in 4 different hardnesses: **80 Sh. A (blue)**, **92 Sh. A (yellow)**, **98 Sh. A (red)**, **64 Sh. D (green)**. Coupling performance depends on the type of element selected (see “**Technical characteristics**”). Other element hardnesses are available upon request to meet special operating conditions, such as high temperatures and/or high torques, and for providing a high degree of vibration dampening capability. Please contact our Engineering Office for help in selecting the appropriate element hardness.



### Operation

When the polyurethane element is installed in its special seats between the hubs, it becomes precompressed, thereby providing the zero backlash feature which characterizes the transmission performance of this coupling.

With zero backlash, the coupling remains torsionally rigid within the range of the precompression load, but does permit the

absorption of radial, angular, and axial misalignments as well as undesired vibrations.

The significantly wide precompressed area of the flexible element keeps the contact pressure against the elastic element low. Therefore, the element teeth can be overloaded many times without undergoing any wear or taking a permanent set.



## Advantages

The TRASCO® ES coupling provides the following advantages:

- “zero-backlash” motion transmission
- dampening (up to 80%) of vibrations from motor shaft
- low heat and electrical conductivity
- easy and fast installation
- perfect balance (A & AP type)
- low moment of inertia (due to compact design and types of materials used).

## Main applications

TRASCO® ES couplings are most frequently used with:

- servomotors
- robotics
- sliding tables
- spindle controls for drilling and grinding mandrels
- ball-bearing screws

## Operating Temperature Range

The operating temperature range for the TRASCO® ES depends on the type of element. For the **92 Sh. A (yellow)**, the range is between **-40 and +90 °C**, and for the **98 Sh.A (red)**, the range is between **-30 and +90 °C**. Peak temperatures as high as 120 °C can be tolerated for brief instances.

High operating temperatures can cause the elastic element to lose a considerable amount of elasticity, thus substantially lowering the torque handling capacity.

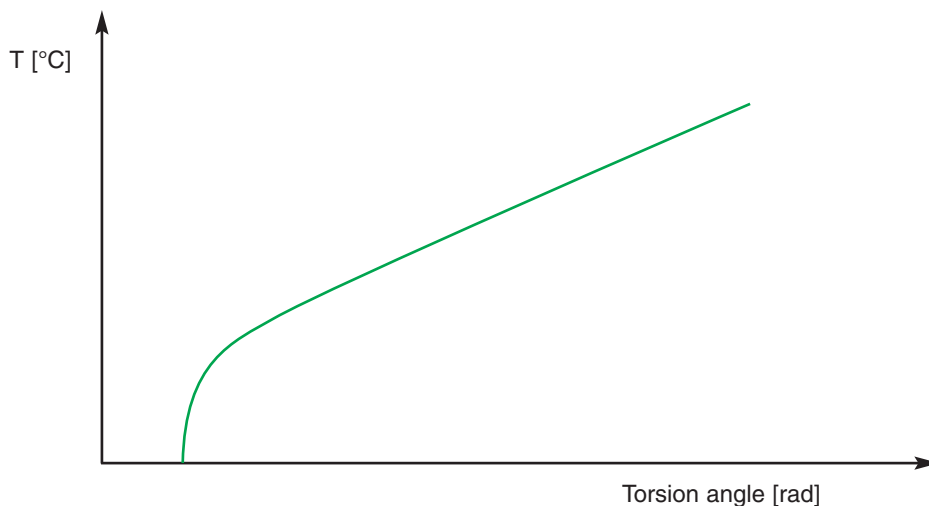
Therefore, when selecting a coupling, the operating temperature must be carefully considered (see “**Technical characteristics**”).

## ATEX compliance

It is possible to ask for specific certification for use in hazardous area according to EC standard **94/9/EC**. TRASCO® ES couplings are available with specific mounting/operating

instruction manual and conformity.

For information, please contact our technical office.



## Technical characteristics

The following technical characteristics apply to all types of TRASCO® ES couplings.

When using the M, A and AP versions, check the torque values given in the table against the allowable hub transmission values for the respective versions given in the pertinent sections.

TRASCO® ES couplings can withstand axial, radial, and angular misalignment.

Even after operating for an extended period with a misalignment, there is still zero backlash because the elastic element is only stressed by pressure loads.

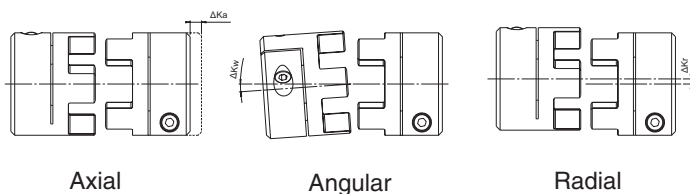
When an application causes a high degree of misalignment, a double flexing type coupling can be provided which avoids the formation of reaction forces.

Please contact our Engineering Office.

Size	Shore	T <sub>KN</sub> [Nm]	T <sub>Kmax</sub> [Nm]	C <sub>T</sub> stat. [Nm/rad]	C <sub>T</sub> din. [Nm/rad]	C <sub>r</sub> [N/mm]	ΔK <sub>a</sub> [mm]	ΔK <sub>r</sub> [mm]	ΔK <sub>w</sub> [°]
7	80 Sh.A (blue)	0,7	1,4	8	26	114	0,6	0,15	1,0
	92 Sh.A (yellow)	1,2	2,4	14	43	219	0,6	0,10	1,0
	98 Sh.A (red)	2,0	4	22	69	421	0,6	0,10	1,0
9	80 Sh.A (blue)	1,8	3,6	16	52	125	0,8	0,20	1,0
	92 Sh.A (yellow)	3,0	6	29	95	262	0,8	0,15	1,0
	98 Sh.A (red)	5,0	10	55	155	518	0,8	0,10	1,0
14	92 Sh.A (yellow)	7,5	15	114,6	344	336	1,0	0,15	1,0
	98 Sh.A (red)	12,5	25	171,9	513	604	1,0	0,09	0,9
	64 Sh.D (green)	16	32	234,2	702	856	1,0	0,06	0,8
19/24	80 Sh.A (blue)	5	10	370	1120	740	1,2	0,15	1,1
	92 Sh.A (yellow)	10	20	820	1920	1260	1,2	0,10	1,0
	98 Sh.A (red)	17	34	990	2350	2210	1,2	0,06	0,9
	64 Sh.D (green)	21	42	1470	4470	2970	1,2	0,04	0,8
24/28	80 Sh.A (blue)	17	34	860	1390	840	1,4	0,18	1,1
	92 Sh.A (yellow)	35	70	2300	5130	1900	1,4	0,14	1,0
	98 Sh.A (red)	60	120	3700	8130	2940	1,4	0,10	0,9
	64 Sh.D (green)	75	150	4500	11500	4200	1,4	0,07	0,8
28/38	80 Sh.A (blue)	46	92	1370	2350	990	1,5	0,20	1,3
	92 Sh.A (yellow)	95	190	3800	7270	2100	1,5	0,15	1,0
	98 Sh.A (red)	160	320	4200	10800	3680	1,5	0,11	0,9
	64 Sh.D (green)	200	400	7350	18400	4900	1,5	0,08	0,8
38/45	92 Sh.A (yellow)	190	380	5600	12000	2900	1,8	0,17	1,0
	98 Sh.A (red)	325	650	8140	21850	5040	1,8	0,12	0,9
	64 Sh.D (green)	405	810	9900	33500	6160	1,8	0,09	0,8
42	92 Sh.A (yellow)	265	530	9800	20500	4100	2,0	0,19	1,0
	98 Sh.A (red)	450	900	15180	34200	5940	2,0	0,14	0,9
	64 Sh.D (green)	560	1120	16500	71400	7590	2,0	0,10	0,8
48	92 Sh.A (yellow)	310	620	12000	22800	4500	2,1	0,23	1,0
	98 Sh.A (red)	525	1050	16600	49400	6820	2,1	0,16	0,9
	64 Sh.D (green)	655	1310	31350	102800	9000	2,1	0,11	0,8
55	92 Sh.A (yellow)	410	820	13000	23100	3200	2,2	0,24	1,0
	98 Sh.A (red)	685	1370	24000	63400	7100	2,2	0,17	0,9
	64 Sh.D (green)	825	1650	42160	111700	9910	2,2	0,12	0,8
65	92 Sh.A (yellow)	625	1250	32560	43600	3800	2,6	0,25	1,0
	98 Sh.A (red)	950	1900	47500	71525	6400	2,6	0,18	0,9
	64 Sh.D (green)	1175	2350	117950	189000	8800	2,6	0,13	0,8
75	98 Sh.A (red)	1920	3840	79150	150450	8650	3,0	0,21	0,9
	64 Sh.D (green)	2400	4800	182300	316300	11900	3,0	0,15	0,8

All the technical data in the catalogue are valid for rotation speeds of 1500 rpm and a working temperature of 30 °C. For linear speed over 30 m/s, dynamic balancing is recommended.

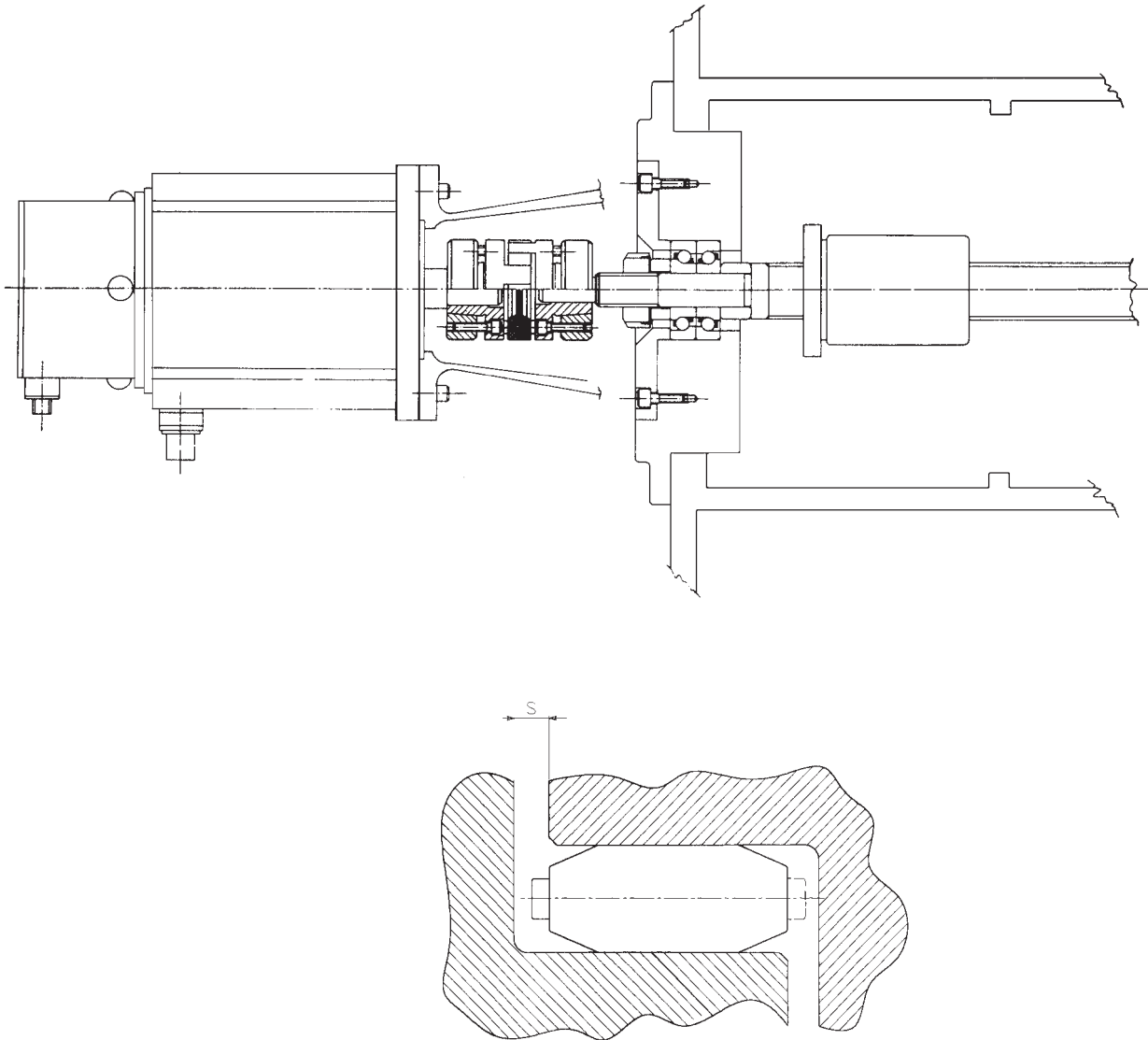
### Misalignments



T <sub>KN</sub>	Coupling nominal torque	Nm
T <sub>Kmax</sub>	Coupling maximum torque	Nm
C <sub>T</sub>	Torsional rigidity	Nm/rad
C <sub>r</sub>	Radial stiffness	N/mm
ΔK <sub>a</sub>	Maximum axial misalignment	mm
ΔK <sub>r</sub>	Maximum radial misalignment	mm
ΔK <sub>w</sub>	Maximum angular misalignment	°

## Installation and maintenance

1. Carefully clean the shafts
2. Insert the hubs onto shafts being connected. With the M, A and AP versions, be sure to tighten the screws with the Ms torque value given in the catalogue. Be careful with the A and AP versions to tighten the screws uniformly and crosswise to the recommended torque
3. Position the element in one of the two coupling hubs
4. Fit together the two coupling halves, making sure the “s” dimension is properly observed. This must be done to insure proper elastic element function and long service life, as well as to assure the coupling is properly insulated electrically



With the A and AP versions, mounting the hubs can be facilitated by lubricating the shaft contact surfaces with an oil, but **do not use a molybdenum bisulphide based oils.**

When mounting the TRASCO® ES coupling an axial thrust is generated which disappears when the mounting has been com-

pleted to avoid putting axial loads on the bearings.

Lubrication of the elastic element will reduce the amount of axial force required during installation

Note: All rotating parts must be guarded.

## Selection in according to DIN 740.2

The coupling must be chosen so the applied working loads do not exceed the allowable values whatever the working conditions are.

### 1. Check the load with respect to the nominal torque

The nominal coupling torque must be greater than or equal to the nominal torque of the drive machine for all working temperatures.

$$T_{KN} \geq T_K \cdot S_\theta \cdot S_D$$

### 2. Check the load with respect to the torque peak values

The maximum coupling torque must be greater than or equal to the torque peaks that occur during operation for all working temperatures.

$$T_{Kmax} \geq T_S \cdot S_Z \cdot S_\theta + T_K \cdot S_\theta \cdot S_D$$

Motor-side peaks:  $T_S = T_{AS} \cdot \frac{1}{m+1} \cdot S_A + T_L^{(1)}$

Driven-side peaks:  $T_S = T_{LS} \cdot \frac{m}{m+1} \cdot S_L + T_L^{(1)}$

### 3. Check the load with respect to periodic torque inversions

*By means of resonance*

When the resonance frequency is passed rapidly below the operational interval a few torque peaks will be seen. The generated alternating loads must be compared with the maximum torque the coupling can support.

$$T_{Kmax} \geq T_S \cdot S_Z \cdot S_\theta + T_K \cdot S_\theta \cdot S_D$$

Motor-side peaks:  $T_S = T_{AI} \cdot \frac{1}{m+1} \cdot V_R + T_L^{(1)}$

Driven-side peaks:  $T_S = T_{LI} \cdot \frac{m}{m+1} \cdot V_R + T_L^{(1)}$

### 4. Check the load with respect to nonperiodic torque inversions

To check the load with respect to nonperiodic torque inversions, the following equations must be satisfied:

$$0,25 T_{KN} = T_{KW} \geq T_W \cdot S_\theta \cdot S_f \cdot S_D$$

Motor-side peaks:  $T_W = T_{AI} \cdot \frac{1}{m+1} \cdot V_{fi}$

Driven-side peaks:  $T_W = T_{LI} \cdot \frac{m}{m+1} \cdot V_{fi}$

(1)  $T_L$  to be added if a torque peak occurs during acceleration.

## Calculation coefficients

#### $S_\theta$ = Temperature factor

T [°C]	-30/+30	+40	+60	+80
$S_\theta$	1	1,2	1,4	1,8

#### $S_Z$ = Starting frequency factor

S/h	0-100	101-200	201-400	401-800	801-1.600
$S_Z$	1	1,2	1,4	1,6	1,8

#### $S_f$ = Frequency factor

f in Hz	□10	>10
$S_f$	1	$\sqrt{f/10}$

#### $S_D$ = Torsional rigidity factor

Tooling machines	Positioning system	Speed and angular acceleration indicator
2-5	3-8	10 □

#### $S_L$ o $S_A$ = Shock factor

Type of impact	$S_L$ o $S_A$
Light	1,5
Medium	1,8
Strong	2,2

$$V_{fi} = \text{Torque-Amplification factor} = \sqrt{\frac{1 + \left(\frac{\psi}{2\pi}\right)^2}{\left(1 - \frac{n^2}{n_R^2}\right)^2 + \left(\frac{\psi}{2\pi}\right)^2}}$$

$$n_R = \text{Resonance frequency} = \frac{30}{\pi} \sqrt{C_{Tdin} \frac{J_A + J_L}{J_A \cdot J_L}} \quad [\text{min}^{-1}]$$

$$m = \text{Mass factor} = \frac{J_A}{J_L}$$

## Example of selection

### Application

*Servomotor driving a recirculating ball screw on a machine tool*

Nominal Torque	$T_K = 10,0 \text{ Nm}$	Shock Type	Light
Peak Torque	$T_{AS} = 22,0 \text{ Nm}$	Table Moment of Inertia	$J_3 = 0,0038 \text{ kg}\cdot\text{m}^2$
Rpm	$n = 3.000 \text{ 1/min}$	Driven Shaft	$d_c = 20 \text{ mm h6 (without keyway)}$
Moment of Inertia	$J_1 = 0,0058 \text{ kg}\cdot\text{m}^2$	Motor Shaft	$d_m = 24 \text{ mm h6 (without keyway)}$
Temperature	$T = +40^\circ\text{C}$		

### Selection

*24/28 "A" type ES coupling with "Red" elastic element (98 Sh. A)*

Standard coupling torque:	$T_{KN} = 60 \text{ [Nm]}$
Maximum torque:	$T_{Kmax} = 120 \text{ [Nm]}$
Hub Moment of Inertia:	$J_2 = 0,000135 \text{ [kg}\cdot\text{m}^2]$
Couple Transmitted by taper locking ring:	$T_{cal} = \begin{cases} 92 \text{ [Nm] bore 20 [mm]} \\ 113 \text{ [Nm] bore 24 [mm]} \end{cases}$

### Load check

$$T_{KN} = T_K \cdot S_\theta \cdot S_D = 10 \cdot 1,2 \cdot 4 = 48,0 \text{ [Nm]}$$

$$T_{KN} = 48,0 \text{ Nm} < T_{cal}$$

$$m = \frac{J_A}{J_L} \quad J_A = J_1 + J_2 \quad J_L = J_3 + J_2 \quad m = 1,5$$

$$T_S = T_{AS} \cdot \frac{1}{m+1} \cdot S_A = 22,0 \cdot \frac{1}{1,5+1} \cdot 1,5 = 13,2 \text{ [Nm]}$$

$$T_{Kmax} = T_S \cdot S_Z \cdot S_\theta + T_K \cdot S_\theta \cdot S_D = 13,2 \cdot 1,6 \cdot 1,2 + 12,5 \cdot 1,2 \cdot 4 = 85,34 \text{ [Nm]}$$

$$T_{Kmax} = 85,34 \text{ Nm} < T_{cal}$$

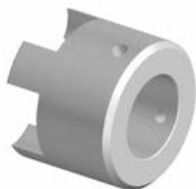
$T_{KN}$	Coupling nominal torque	Nm
$T_K$	Motor-side nominal torque	Nm
$T_{Kmax}$	Coupling maximum torque	Nm
$T_S$	Motor peak torque	Nm
$T_{AS}/T_{AI}$	Driver-side peak torque	Nm
$T_L$	Acceleration delivered torque	Nm
$T_{LS}/T_{LI}$	Driven-side peak torque	Nm
$V_R$	Resonance factor	
$V_{fi}$	Torque amplification factor	
$m$	Mass factor	
$J_A$	Motor-side inertia	$\text{kgm}^2$
$J_L$	Driven-side inertia	$\text{kgm}^2$
$\Psi$	Dampening factor	

$n_R$	Resonance speed	$\text{min}^{-1}$
$C_T$	Torsional rigidity	$\text{Nm/rad}$
$M_T$	Transmissible torque moment	Nm
$S_A$	Motor-side shock factor	
$S_L$	Driven-side shock factor	
$S_Z$	Start frequency factor	
$S_\theta$	Temperature factor	
$S_D$	Torsional rigidity factor	
$S_f$	Frequency factor	
$T_W$	Torque with reversal of the machine	Nm
$T_{KW}$	Torque with reversal transmissible by the coupling	Nm
$T_{Cal}$	Hub-shaft connection maximum torque	Nm

## TRASCO® ES executions

### FINISHED BORE HUBS EXECUTION

#### GES F execution



From size 7 to 9.  
Hub execution with finish bores, and two setscrew.

#### GES F C execution



From size 14.  
Hub execution with finish bore, keyway and setscrew. Not suitable for backlash free drives with high reversing frequency or high start-up frequency.

### CLAMP HUBS EXECUTION

#### GES M execution



Clamping hub execution with single slot without keyway. Up to size 19/24. Backlash free hub design. Transmissible torque depends on bore diameter.

#### GES M execution



Clamping hub execution with double slot without keyway. From size 24/28. Backlash free hub design. Transmissible torque depends on bore diameter.

#### GES M...C execution



Camping hub execution with single slot and keyway. Up to size 19/24. The clamping pressure eliminates backlash in torque reversals.

#### GES M...C execution



Camping hub execution with double slot and keyway. From size 24/28. The camping pressure eliminates backlash in torque reversals.

#### GES 2M execution



Split clamping hub execution for radial assembly of the coupling. Torque depends on bore diameter. Execution "C" with keyway, as option can be delivered for a positive torque transmission with zero backlash. These executions are suitable for double cardanic applications.

### SHRINK DISC EXECUTION

#### GES A execution



Execution with locking ring. This execution is suitable for high speed and high torque. Screws mounting from spider side. Transmissible torque depends on bore diameter.

#### GES AP execution



Execution with locking ring with high machining accuracy: design suitable for application on spindles according to DIN 69002.

# Standard type

SIT coupling hubs are available from stock with either solid hub or with finished bores of standard shaft diameters. The setscrews of our finished bore execution are positioned 120 degrees from each other with one positioned 180 degrees from

the keyway. Both the solid hub and bored hub coupling are generally available from stock for quick delivery. **Approved according to EC standard ATEX.**

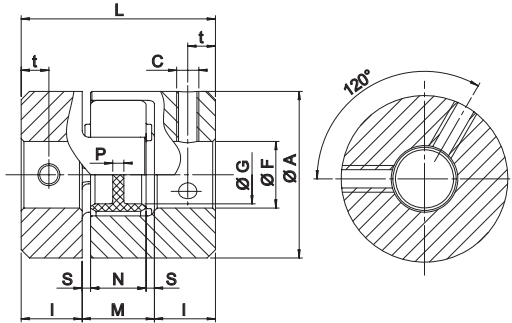


Fig. 1

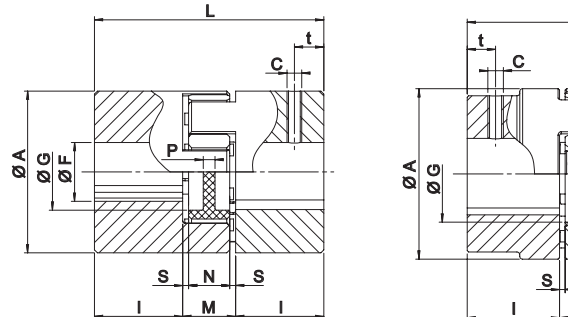


Fig. 2

Size	F min [mm]	F max [mm]	Hub		n <sub>max</sub> [min <sup>-1</sup> ]
			W [kg]	J [kgm <sup>2</sup> ]	
<b>ALUMINUM HUBS</b>					
7	3	7	0,003	0,085 x 10 <sup>-6</sup>	40.000
9	4	9	0,009	0,49 x 10 <sup>-6</sup>	28.000
14	4	15	0,020	2,8 x 10 <sup>-6</sup>	19.000
19/24	6	24	0,066	20,4 x 10 <sup>-6</sup>	14.000
24/28	8	28	0,132	50,8 x 10 <sup>-6</sup>	10.600
28/38	10	38	0,253	200,3 x 10 <sup>-6</sup>	8.500
38/45	12	45	0,455	400,6 x 10 <sup>-6</sup>	7.100
<b>STEEL HUBS</b>					
42	14	55	2,000	2.246 x 10 <sup>-6</sup>	6.000
48	20	60	2,520	3.786 x 10 <sup>-6</sup>	5.600
55	25	70	4,100	9.986 x 10 <sup>-6</sup>	5.000
65	25	80	5,900	18.352 x 10 <sup>-6</sup>	4.600
75	30	95	6,900	27.464 x 10 <sup>-6</sup>	3.700

A [mm]	G [mm]	L [mm]	I [mm]	M [mm]	N [mm]	S [mm]	P [mm]	c	M <sub>s</sub> [Nm]	t [mm]	Fig.
<b>ALUMINUM HUBS</b>											
14	-	22	7	8	6	1,0	6,0	M3	0,3	3,5	1
20	7,2	30	10	10	8	1,0	2,0	M3	0,3	5	1
30	11	35	11	13	10	1,5	2,0	M4	1,5	5	2
40	18,5	66	25	16	12	2,0	3,5	M5	2	10	2
55	27,5	78	30	18	14	2,0	4,0	M5	2	10	2
65	30	90	35	20	15	2,5	5,2	M6	4	15	2
80	38,5	114	45	24	18	3,0	5,6	M8	10	15	2
<b>STEEL HUBS</b>											
95	46	126	50	26	20	3,0	5,6	M8	10	20	2
105	51	140	56	28	21	3,5	6,0	M8	10	25	2
120	60	160	65	30	22	4,0	9,0	M10	17	20	2
135	68	185	75	35	26	4,5	8,3	M10	17	20	2
160	80	210	85	40	30	5,0	8,3	M10	17	25	2

Bore tolerance: H7 - JS9 (DIN 6885/1) keyway

## Order form

Hub **GESF 24/28 F20**

GESP: solid hub  
GESF: bore + keyway + set-screw

Size \_\_\_\_\_

F...: bore diameter \_\_\_\_\_

Spider **AES 24/28 R**

TRASCO® ES spider

Size \_\_\_\_\_

B: 80 Sh A (blue)  
G: 92 Sh A (yellow)  
R: 98 Sh A (red)  
V: 64 Sh D (green)

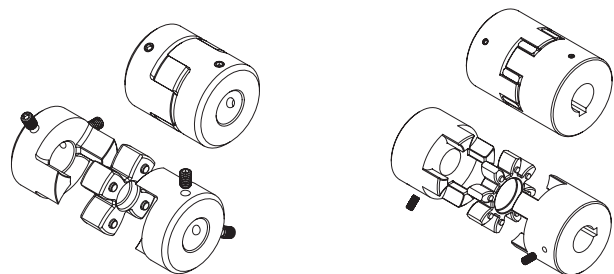


Fig. 1

Fig. 2

M <sub>s</sub>	Screw tightening torque	Nm
W	Weight	kg
J	Moment of inertia	kgm <sup>2</sup>
n <sub>max</sub>	Maximum rpm	min <sup>-1</sup>



## “M” execution with clamp hubs

This type of coupling permits quick, positive mounting, without any shaft-hub backlash. With the keyless coupling type, the torque applied for tightening

down the screws (Ms) must be as given in the table. **The M coupling type is available with or without keyway. Approved according to EC standard ATEX.**

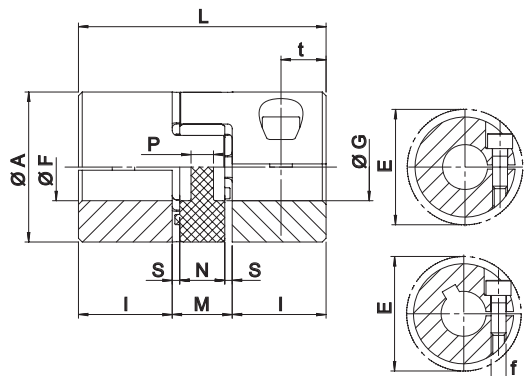


Fig. 1

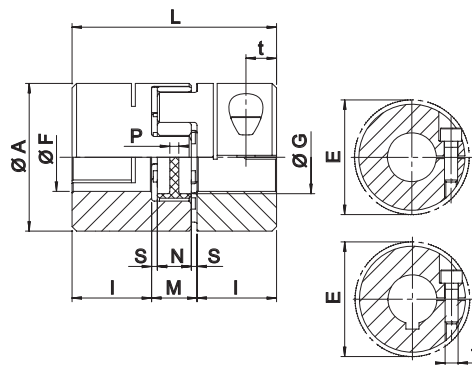


Fig. 2

Size	F min [mm]	F max [mm]	f	Ms [Nm]	Hub		n <sub>max</sub> [min <sup>-1</sup> ]
					W [kg]	J [kgm <sup>2</sup> ]	
<b>ALUMINUM HUBS</b>							
7	3	7	M2	0,35	0,003	0,085 x 10 <sup>-6</sup>	40.000
9	4	9	M2,5	0,75	0,007	0,42 x 10 <sup>-6</sup>	28.000
14	6	16	M3	1,4	0,018	2,6 x 10 <sup>-6</sup>	19.000
19/24	10	20	M6	11	0,071	18,1 x 10 <sup>-6</sup>	14.000
24/28	10	32	M6	11	0,156	74,9 x 10 <sup>-6</sup>	10.600
28/38	14	35	M8	25	0,240	163,9 x 10 <sup>-6</sup>	8.500
38/45	19	45	M8	25	0,440	465,5 x 10 <sup>-6</sup>	7.100
<b>STEEL HUBS</b>							
42	25	50	M10	70	2,100	3.095 x 10 <sup>-6</sup>	6.000
48	25	55	M12	120	2,900	5.160 x 10 <sup>-6</sup>	5.600
55	35	70	M12	120	4,000	9.737 x 10 <sup>-6</sup>	5.000
65	40	80	M14	190	5,800	17.974 x 10 <sup>-6</sup>	4.600

Keyway position	A [mm]	G [mm]	L [mm]	I [mm]	M [mm]	N [mm]	S [mm]	P [mm]	t [mm]	E [mm]	Fig.
-	14	-	22	7	8	6	1,0	6	4	15,0	1
-	20	7,2	30	10	10	8	1,0	2	5	23,4	1
180°	30	10,5	35	11	13	10	1,5	2	5,5	32,2	1
120°	40	18	66	25	16	12	2,0	3,5	12	45,7	1
90°	55	27	78	30	18	14	2,0	4	12	56,4	2
90°	65	30	90	35	20	15	2,5	5,2	13,5	72,6	2
90°	80	38	114	45	24	18	3,0	5,6	16	83,3	2
<b>STEEL HUBS</b>											
-	95	46	126	50	26	20	3,0	5,6	20	78,8	2
-	105	51	140	56	28	21	3,5	6	21	108,0	2
-	120	60	160	65	30	22	4,0	9	26	122,0	2
-	135	68	185	75	35	26	4,5	8,3	27,5	139,0	2

From size 7 to 19/24: single slot execution  
 From size 24/28 to 65: double slot execution  
 Bore tolerance: F7 - JS9 (DIN 6885/1) keyway

Hub **GESM 48 F50**

GESM: TRASCO® ES hub

Size

F...: bore diameter  
 F...C: bore diameter and keyway

Spider **AES 24/28 R**

TRASCO® ES spider

Size

B: 80 Sh A (blue)  
 G: 92 Sh A (yellow)  
 R: 98 Sh A (red)  
 V: 64 Sh D (green)

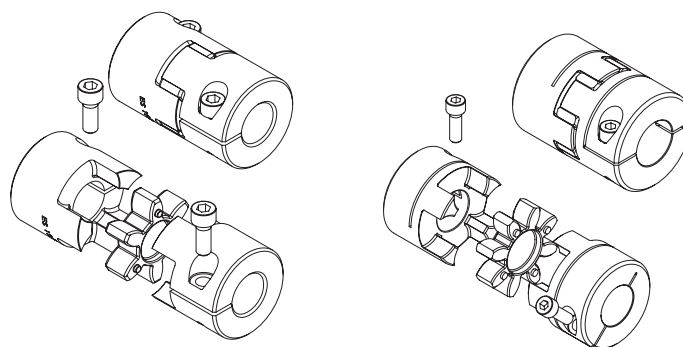


Fig. 1

Fig. 2

M <sub>S</sub>	Screw tightening torque	Nm
W	Weight	kg
J	Coupling moment of inertia	kgm <sup>2</sup>
n <sub>max</sub>	Maximum rpm	min <sup>-1</sup>

Using hub execution **M** without keyway, the maximum transmissible torque is the minor between the clamp-hub transmissible torque and the value stated in the section “**Technical characteristics**”.

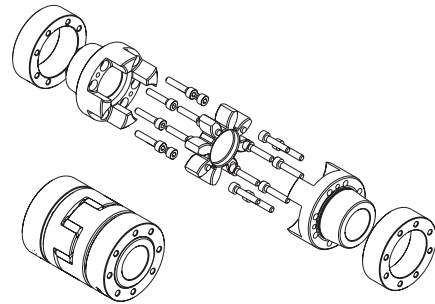
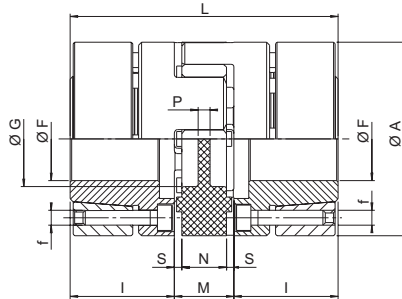
Size	Recommended <b>M</b> coupling Type Hub Bore Dia. [mm] and Transmissible Torque [Nm], valid for shaft tolerances k6																																								
	∅ 4	∅ 5	∅ 6	∅ 7	∅ 8	∅ 9	∅ 10	∅ 11	∅ 12	∅ 14	∅ 15	∅ 16	∅ 19	∅ 20	∅ 22	∅ 24	∅ 25	∅ 28	∅ 30	∅ 32	∅ 35	∅ 38	∅ 40	∅ 42	∅ 45	∅ 48	∅ 50	∅ 55	∅ 60	∅ 65	∅ 70	∅ 75	∅ 80								
<b>7</b>	0,7	0,8	1	1,1																																					
<b>9</b>	1,1	1,4	1,7	1,9	2,2	2,5																																			
<b>14</b>			2,5	2,9	3,3	3,7	4,1	4,6	5	5,8	6,2	6,6																													
<b>19/24</b>							23	25	27	32	34	36	43	45																											
<b>24/28</b>							23	25	27	32	34	36	43	45	50	54	57	63																							
<b>28/38</b>										58	62	66	79	83	91	100	104	116	124	133	145																				
<b>38/45</b>													79	83	91	100	104	116	124	133	145	158	166	174	187																
<b>42</b>																	217	243	261	278	304	330	348	365	391	417	435														
<b>48</b>																	299	335	359	383	419	455	479	503	539	575	599	659													
<b>55</b>																					356	387	407	428	458	489	509	560	611	662	713										
<b>65</b>																							558	586	628	670	697	767	837	907	976	1046	1116								

## “A” type - Shrink disc execution

This type of coupling provides excellent kinetic uniformity. Furthermore, the absence of keys or set screws makes it a well-balanced coupling and greatly facilitates installation and removal. An exact radial/axial positioning is easy for those applications which require it. The absence of keyways also avoids

fretting corrosion and backlash between the shaft and the hub. This is the ideal type of coupling for applications requiring precision and/or high rotational speeds.

**Approved according to EC standard ATEX.**



Size	F min [mm]	F max [mm]	f	Screws per locking elements	Ms [Nm]	Hub		n <sub>max</sub> [min <sup>-1</sup> ]
						W [kg]	J [kgm <sup>2</sup> ]	
<b>ALUMINUM HUBS AND STEEL LOCKING ELEMENT</b>								
14	6	14	M3	4	1,3	0,049	7 x 10 <sup>-6</sup>	28.000
19/24	10	20	M4	6	2,9	0,120	30 x 10 <sup>-6</sup>	21.000
24/28	15	28	M5	4	6,0	0,280	135 x 10 <sup>-6</sup>	15.500
28/38	19	38	M5	8	6,0	0,450	315 x 10 <sup>-6</sup>	13.200
38/45	20	45	M6	8	10,0	0,950	960 x 10 <sup>-6</sup>	10.500
<b>STEEL HUBS AND LOCKING ELEMENT</b>								
42	28	50	M8	4	35,0	2,300	3.150 x 10 <sup>-6</sup>	9.000
48	35	60	M8	4	35,0	3,080	5.200 x 10 <sup>-6</sup>	8.000
55	38	65	M10	4	71,0	4,670	10.300 x 10 <sup>-6</sup>	6.300
65	40	70	M12	4	120,0	6,700	19.100 x 10 <sup>-6</sup>	5.600

A [mm]	G [mm]	L [mm]	I [mm]	M [mm]	N [mm]	S [mm]	P [mm]
<b>ALUMINUM HUBS AND STEEL LOCKING ELEMENT</b>							
30	10,5	50	18,5	13	10	1,5	2
40	18	66	25	16	12	2,0	3,5
55	27	78	30	18	14	2,0	4
65	30	90	35	20	15	2,5	5,2
80	38	114	45	24	18	3,0	5,6
<b>STEEL HUBS AND LOCKING ELEMENT</b>							
95	46	126	50	26	20	3,0	5,6
105	51	140	56	28	21	3,5	6
120	60	160	65	30	22	4	9
135	68	185	75	35	26	4,5	8,3

Bore tolerance: H7

For the sizes 55 and 65 the ring changes with the bore. For further information please contact our Technical Office.

Using hub execution **A**, the shrink-disc maximum transmissible torque is the minor between the value stated in the table below and the value stated in section “**Technical characteristics**”.

Size	Recommended <b>A</b> coupling Type Hub Bore Dia. [mm] and Transmissible Torque [Nm], valid for shaft tolerances k6																									
	Ø 10	Ø 11	Ø 14	Ø 15	Ø 16	Ø 17	Ø 18	Ø 19	Ø 20	Ø 22	Ø 24	Ø 25	Ø 28	Ø 30	Ø 32	Ø 35	Ø 38	Ø 40	Ø 42	Ø 45	Ø 48	Ø 50	Ø 55	Ø 60	Ø 65	Ø 70
14	10	12	22																							
19/24	42	46	60	65	69	74	79	84	88																	
24/28				66	72	77	82	87	92	102	113	118	135													
28/38										175	185	205	225	235	266	287	308	339	373							
38/45										255	283	312	326	367	398	427	471	515	545	577	620					
42													420	460	500	563	627	670	714	790	850	880				
48																557	612	649	687	744	801	840	932	1033		
55																	986	1112	1140	1185	1284	1412	1420	1652	1680	1691
65																		1531	1580	1772	1840	1960	2049	2438	2495	2590

### Order form

Hub **GESA 48 F45**

GESA: TRASCO® ES hub - “A” execution

Size

F...: bore diameter

Spider **AES 24/28 R**

TRASCO® ES spider

Size

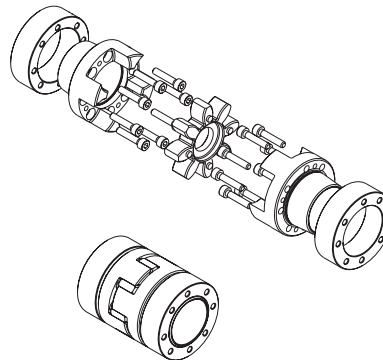
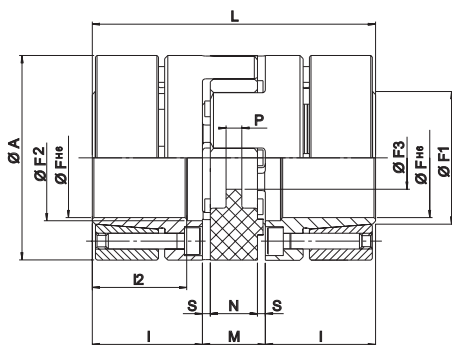
B: blue; G: yellow; R: red; V: green

M <sub>S</sub>	Screw tightening torque	Nm
W	Weight	kg
J	Coupling moment of inertia	kgm <sup>2</sup>
n <sub>max</sub>	Maximum rpm	min <sup>-1</sup>

## “AP” type - Shrink disc execution according to DIN 69002

Precision “zero-backlash” coupling designed for multi spindle devices on machine tools or controls with reduced mass, such as short center spindles, multi-centers primary spindles in work sta-

tions, or joined to high speed bearings with limited tolerance range. It is suitable for very high speeds of rotation (up to speeds of 50 m/s).

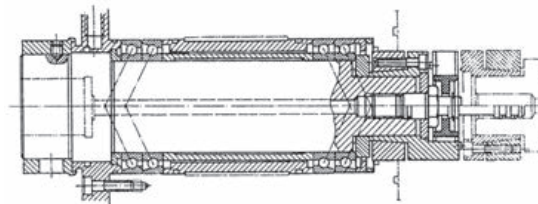


Size	F <sup>H6</sup> [mm]	M <sub>S</sub> [Nm]	Hub		n <sub>max</sub> [min <sup>-1</sup> ]
			W [kg]	J [kgm <sup>2</sup> ]	
<b>STEEL HUBS AND LOCKING ELEMENT</b>					
14	14	1,89	0,080	11 x 10 <sup>-6</sup>	28.000
19/24 - 37,5	16	3,05	0,160	37 x 10 <sup>-6</sup>	21.000
19/24	19	3,05	0,190	46 x 10 <sup>-6</sup>	21.000
24/28-50	24	4,90	0,330	136 x 10 <sup>-6</sup>	15.500
24/28	25	8,50	0,440	201 x 10 <sup>-6</sup>	15.500
28/38	35	8,50	0,640	438 x 10 <sup>-6</sup>	13.200
38/45	40	14,00	1,320	1.325 x 10 <sup>-6</sup>	10.500
42	42	35,00	2,230	3.003 x 10 <sup>-6</sup>	9.000
48	45	35,00	3,090	5.043 x 10 <sup>-6</sup>	8.000
55	50	35,00	4,740	10.020 x 10 <sup>-6</sup>	6.300

A [mm]	L [mm]	I [mm]	I2 [mm]	M [mm]	N [mm]	S [mm]	P [mm]	F1 [mm]	F2 [mm]	F3 [mm]
<b>STEEL HUBS AND LOCKING ELEMENT</b>										
32	50	18,5	15,5	13	10	1,5	2,0	17	17	8,5
37,5	66	25	21	16	12	2,0	3,5	20	19	9,5
40	66	25	21	16	12	2,0	3,5	23	22	9,5
50	78	30	25	18	14	2,0	4,0	30	29	12,5
55	78	30	25	18	14	2,0	4,0	32	30	12,5
65	90	35	30	20	15	2,5	5,2	42	40	14,5
80	114	45	40	24	18	3,0	5,6	49	46	16,5
92	126	50	45	26	20	3,0	5,6	54	55	18,5
105	140	56	50	28	21	3,5	6,0	65	60	20,5
120	160	65	58	30	22	4,0	9,0	65	72	22,5

Bore tolerance: H6

Spindle size	TRASCO® ES "AP"	98 Sh. A		64 sh. D	
		TKN [Nm]	TKmax [Nm]	TKN [Nm]	TKmax [Nm]
25 x 20	14	12,5	25	16	32
32 x 25	19/24 - 37,5	14	28	17	34
32 x 30	19/24	17	34	21	42
40 x 35	24/28 - 50	43	86	54	108
50 x 45	24/28	60	120	75	150
63 x 55	28/38	160	320	200	400



### Order form

Hub **GESAP 48 F45**

GESAP: TRASCO® ES hub - "AP" execution

Size

F...: bore diameter

Spider

**AESP 24/28 R**

TRASCO® ES spider - "AP" execution

Size

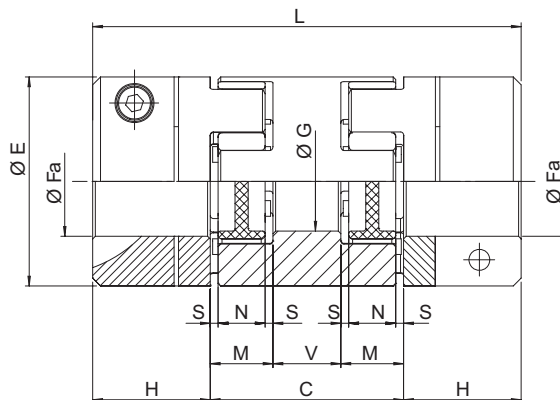
R: red; V: green

M <sub>S</sub>	Screw tightening torque	Nm
W	Weight	kg
J	Coupling moment of inertia	kgm <sup>2</sup>
n <sub>max</sub>	Maximum rpm	min <sup>-1</sup>

# “GESS” double cardanic execution

This execution allows higher misalignments. The 2 spiders allow a high vibration dampening providing a decrease in drive noise and longer life of related components (ex. bearings).

The intermediate element is made of aluminum alloy and may be used in combination with any type of hub execution.



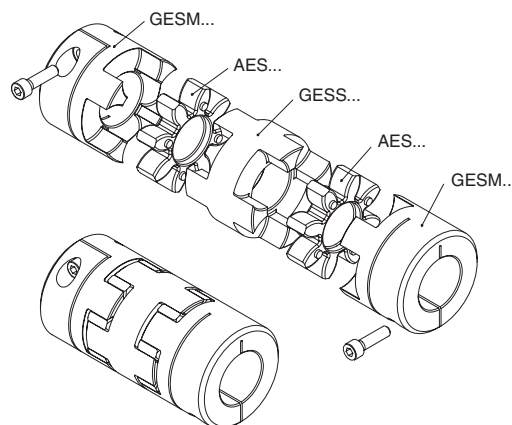
Size	Fa min [mm]	Fa max [mm]	E [mm]	A [mm]	C [mm]	H [mm]	L [mm]	V [mm]	M [mm]	S [mm]	N [mm]	G [mm]	W [kg]	J [kg m <sup>2</sup> ]
<b>ALUMINUM HUBS</b>					<b>ALUMINUM GESS</b>									
7	3	7	14	–	20	7	34	4	8	1	6	–	0,003	0,0000008
9	4	9	20	–	25	10	45	5	10	1	8	–	0,007	0,0000004
14	6	15	30	–	34	11	56	8	13	1,5	10	–	0,024	0,000003
19/24	10	20	40	–	42	25	92	10	16	2	12	18	0,05	0,000013
24/28	10	28	55	–	52	30	112	16	18	2	14	27	0,14	0,00006
28/38	14	35	65	–	58	35	128	18	20	2,5	15	30	0,22	0,00013
38/45	15	45	80	–	68	45	158	20	24	3	18	38	0,35	0,00035
<b>STEEL HUBS</b>					<b>ALUMINUM GESS</b>									
42	20	45	95	75	74	50	174	22	26	3	20	46	0,51	0,0007
48	25	60	105	85	80	56	192	24	28	3,5	21	51	0,67	0,001
55	25	70	120	110	88	65	218	28	30	4	22	60	0,97	0,002
65	25	75	135	115	102	75	252	32	35	4,5	26	68	1,43	0,004

### Order form

Spacer element **GESS 24**

GESS: spacer element

Size: 24/28

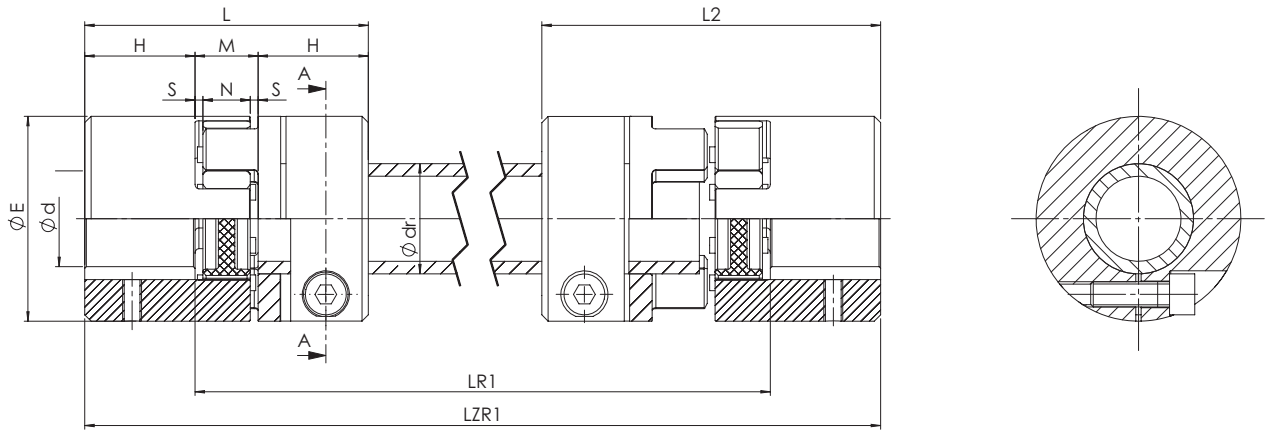


W	Weight	kg
J	Coupling moment of inertia	kgm <sup>2</sup>

## “GES LR1” execution with intermediate shaft

This zero backlash execution, allows connection to long distance shafts in applications such as lifting screw jacks, gantry robot etc. The intermediate shaft is made of steel but may be of different

material for specific need. The presence of 2 spiders, increases the dampening properties and allow high misalignments.

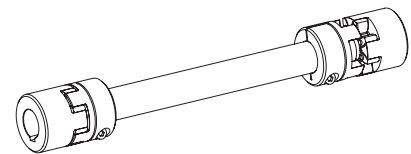


Size	External hub		Internal hub		
	Dimensions finished bores		Screws Din912-8.8 M-L	Ms [N·m]	M <sub>T</sub> [N·m]
	dmin [mm]	dmax [mm]			
14	4	15	M3x12	1,34	6,1
19/24	6	24	M6x18	10	34
24/28	8	28	M6x20	10	45
28/38	10	38	M8x25	25	105
38/45	12	45	M8x30	25	123

E [mm]	H [mm]	L [mm]	M [mm]	N [mm]	s [mm]	L2 [mm]	LR1 [mm]	LR1 min [mm]	LZR1 [mm]	d <sub>R</sub> x thickness [mm]
30	11	35	13	10	1,5	46,5	On request	65	LR1+22	14 x 2.0
40	25	66	16	12	2,0	80		85	LR1+50	20 x 3.0
55	30	78	18	14	2,0	94		96	LR1+60	25 x 2.5
65	35	90	20	15	2,5	107,5		111	LR1+70	35 x 4.0
80	45	114	24	18	3,0	135		126	LR1+90	40 x 4.0

### Coupling configurator

Coupling code	Item	Type	Execution	Bore diameter	Order example	
GESL38/45	Hub 1	GESP	-	-	GESF38/45F35	
		GESF	-	F...		
		GESM	F-C	F...		
		GESA	-	F...		
	Spider 1	AES	B-G-R-V	-	AES38/45V	
	Length LR1					LR1= 1200 mm
	Spider 2	AES	B-G-R-V	-	AES38/45V	
	Hub 2	GESP	-	-	GESF38/45F35	
		GESF	-	F...		
		GESM	F-C	F...		
GESA		-	F...			

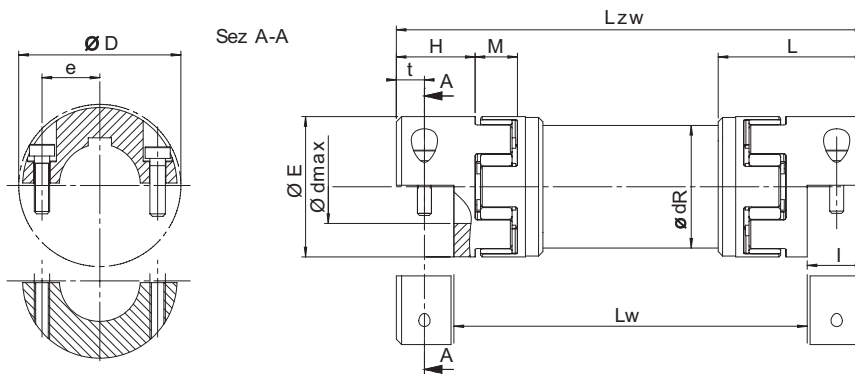


M<sub>S</sub> Screw tightening torque Nm  
M<sub>T</sub> Transmissible torque moment Nm

## “GES LR3” execution with intermediate shaft

Ideal execution for long distance shaft connections. Torque transmission is zero backlash. It is used in applications such as automatic machines, lifting machines, palletizing machines, and handling machines. Designed for length up to 4 m without

bearing support (depending on rotation speed). The double slot execution, allows spider mounting and replacement without driver/driven machine displacement. All aluminum alloy for a very low inertia.

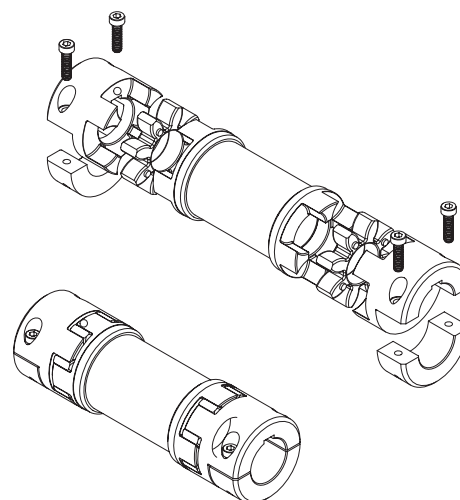


Size	Dimensions finished bores		Clamping		Moment of inertia [10 <sup>3</sup> kgm <sup>2</sup> ] with d <sub>max</sub> hub 1			Torsional rigidity
	d <sub>min</sub> [mm]	d <sub>max</sub> [mm]	Screws DIN 4762-8.8	M <sub>s</sub> [Nm]	Hub 1 J <sub>1</sub>	Hub 2 J <sub>2</sub>	Shaft J <sub>3</sub>	C <sub>T</sub> [Nm/rad]
19	8	20	M6	10	0,02002	0,01304	0,340	3003
24	10	28	M6	10	0,07625	0,04481	0,0697	6139
28	14	38	M8	25	0,17629	0,1095	1,243	10936
38	18	45	M8	25	0,50385	0,2572	3,072	27114
42	22	50	M10	49	1,12166	0,5523	4,719	41591
48	22	55	M12	86	1,87044	1,1834	9,591	84384

E [mm]	H [mm]	I [mm]	L [mm]	M [mm]	L <sub>w</sub> [mm]	L <sub>w</sub> min [mm]	L <sub>zw</sub> [mm]	D [mm]	t [mm]	e [mm]	d <sub>R</sub> [mm]
40	25	17,5	49	16	Length on request	98	Lw+35	47	8	14,5	40
55	30	22	59	18		113	Lw+44	57	10,5	20	50
65	35	25	67	20		131	Lw+50	73	11,5	25	60
80	45	33	83,5	24		163	Lw+66	84	15,5	30	70
95	50	36,5	93	26		180	Lw+73	94	18	36	80
105	56	39,5	103	28		202	Lw+79	105	18,5	36	100

### Coupling configurator

Coupling code	Item	Type	Execution	Bore diameter	Order example	
GESLR38/45	Hub 1	GESP	-	-	GESM38/45F35	
		GESF	-	F...		
		GESM	F-C	F...		
		GESA	-	F...		
	Spider 1	AES	B-G-R-V	-	AES38/45V	
	Distanza tra gli alberi L <sub>w</sub>					L <sub>w</sub> = 1200 mm
	Spider 2	AES	B-G-R-V	-	AES38/45V	
	Hub 2	GESP	-	-	GESM38/45F35	
GESF		-	F...			
GESM		F-C	F...			
GESA		-	F...			

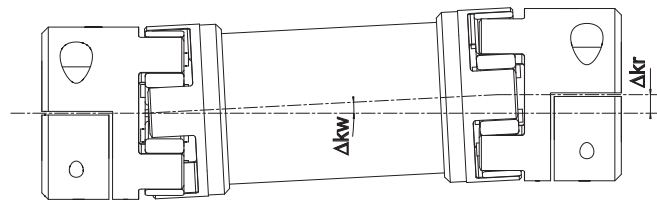


M <sub>s</sub>	Screw tightening torque	Nm
J	Coupling moment of inertia	kgm <sup>2</sup>
C <sub>T</sub>	Torsional rigidity	Nm/rad

Size	Bores and torques for friction with hub without keyway [Nm]																							
	∅ 8	∅ 10	∅ 11	∅ 14	∅ 15	∅ 16	∅ 18	∅ 19	∅ 20	∅ 22	∅ 24	∅ 25	∅ 28	∅ 30	∅ 32	∅ 35	∅ 38	∅ 40	∅ 42	∅ 45	∅ 46	∅ 48	∅ 50	∅ 55
19	17	21	23	30	32	34	38	40	42															
24		21	23	30	32	34	38	40	42	47	51	53	59											
28				54	58	62	70	74	78	86	93	97	109	117	124	136	148							
38							70	74	78	86	93	97	109	117	124	136	148	156	163	175				
42										136	149	155	174	186	198	217	235	248	260	279	285	297	310	
48										199	217	226	253	271	290	317	344	362	380	407	416	434	452	498

## Technical data for intermediate shaft couplings (GES LR1 - GES LR3)

Size	Misalignment	
	Assial $\Delta K_a$ [mm]	Angular $\Delta K_w$ [°]
14	1,0	0,9
19/24	1,2	0,9
24/28	1,4	0,9
28/38	1,5	0,9
38/45	1,8	0,9



Radial misalignment

$$\Delta K_r = (L_z - 2 \cdot H - M) \cdot \tan(\Delta K_w) \quad [\text{mm}]$$

Angular misalignment = 0,9° per spider

$$C_{\text{Tot}} = \frac{1}{2 \cdot \frac{1}{C_{\text{T spider}}} + \frac{L_{\text{intermediate shaft}}}{C_{\text{T intermediate shaft}}}} \quad [\text{Nm/rad}]$$

$$L_{\text{intermediate shaft}} = \frac{L_{zw} - 2 \cdot L}{1000} \quad [\text{mm}]$$

with  $L_{zw}$  = total coupling length

### Selection diagram GES LR3 coupling

